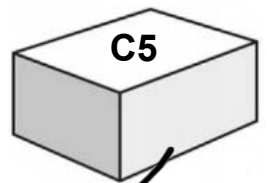
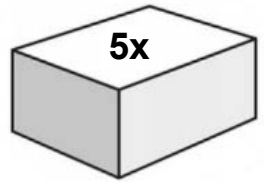
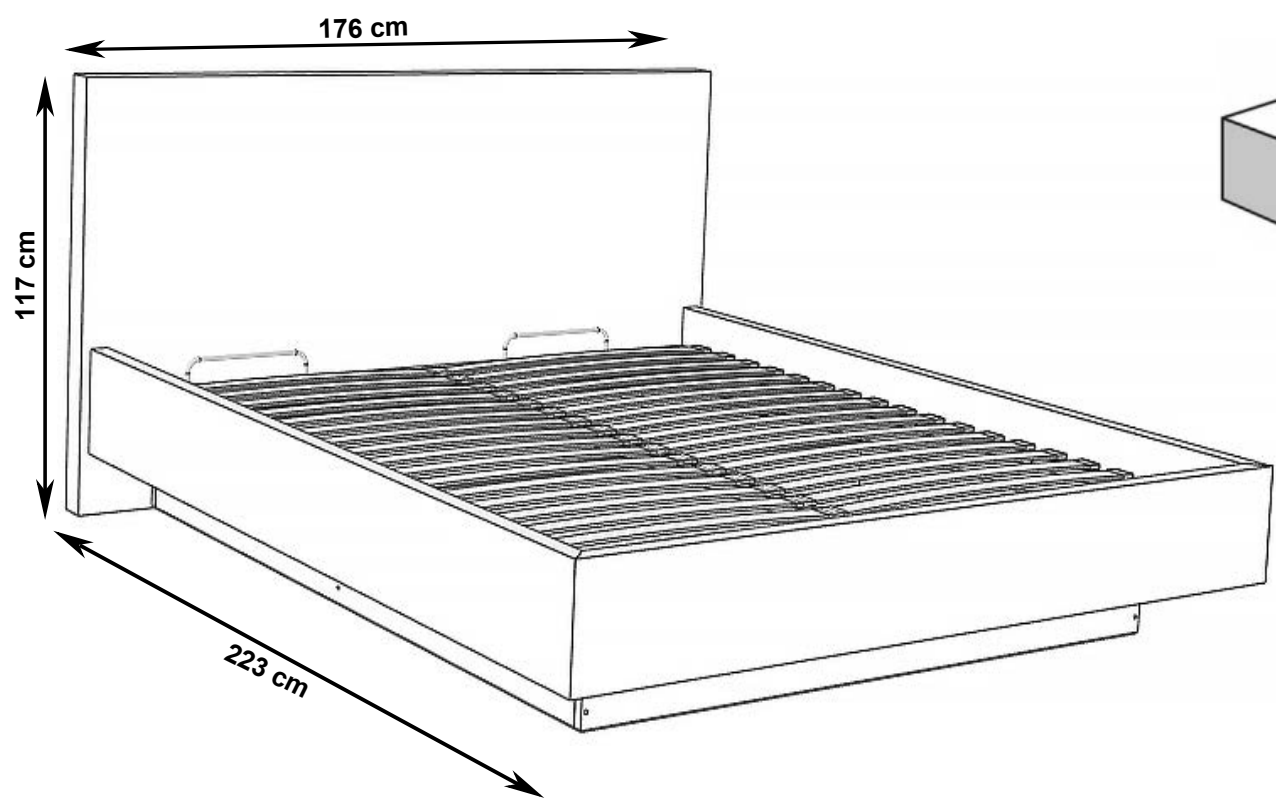
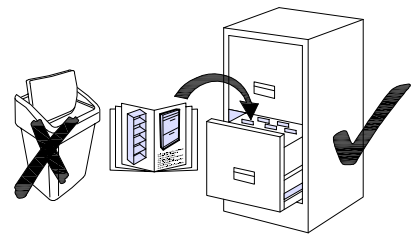
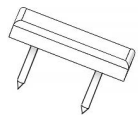




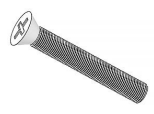
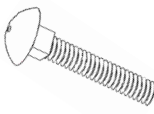


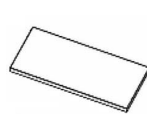

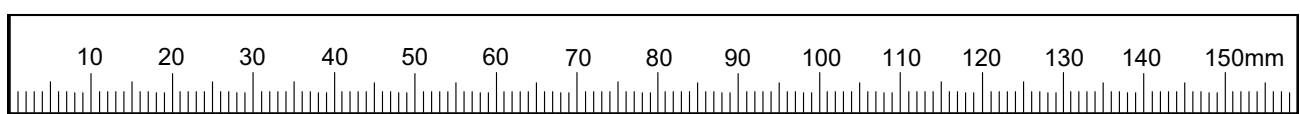


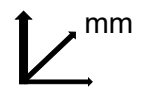


160

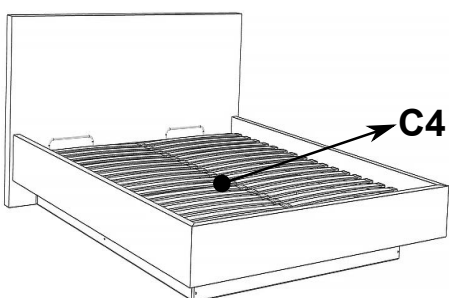
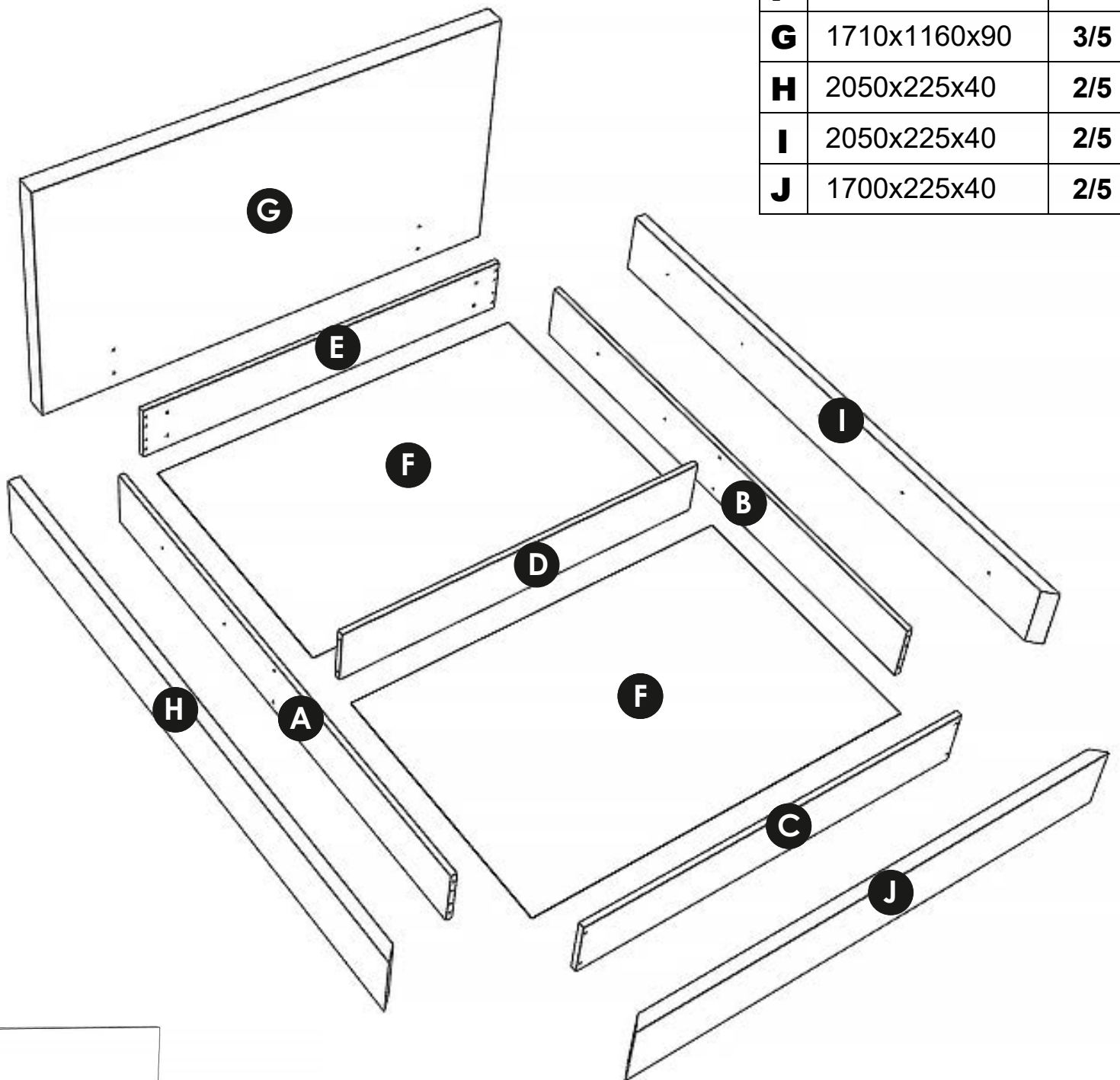


 SP L20 x19	 SK M6x60 x4	 PP M8 x4	 KN 5,0x50 x14	 KD 8x30 x12	
 SK M6x50 x14	 SG M6x30 x6	 NS M6 x6	 KK "3" x1	 FP 40x20 x2	 NC FI14 x8

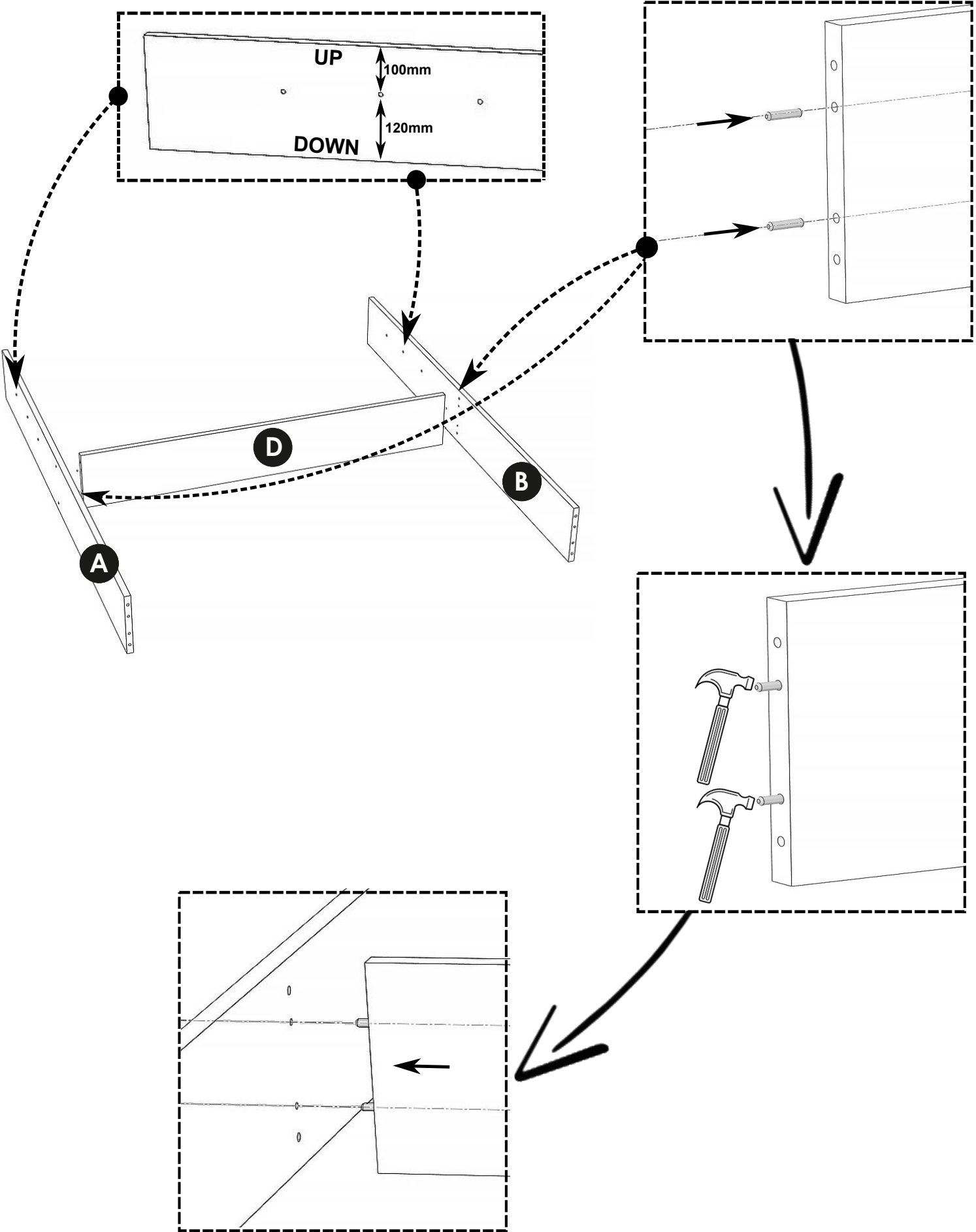
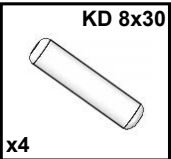




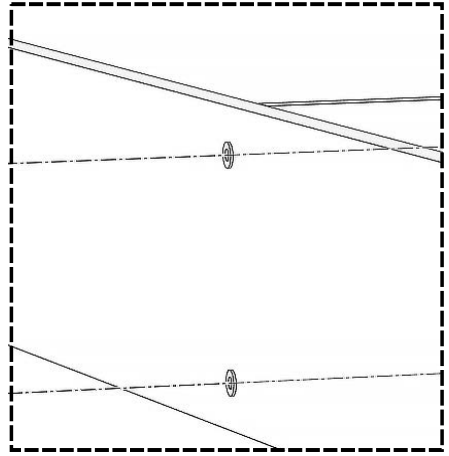
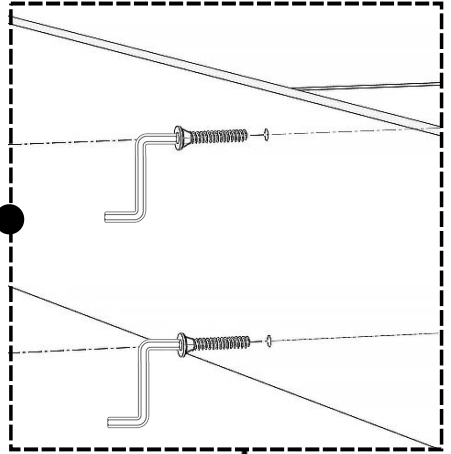
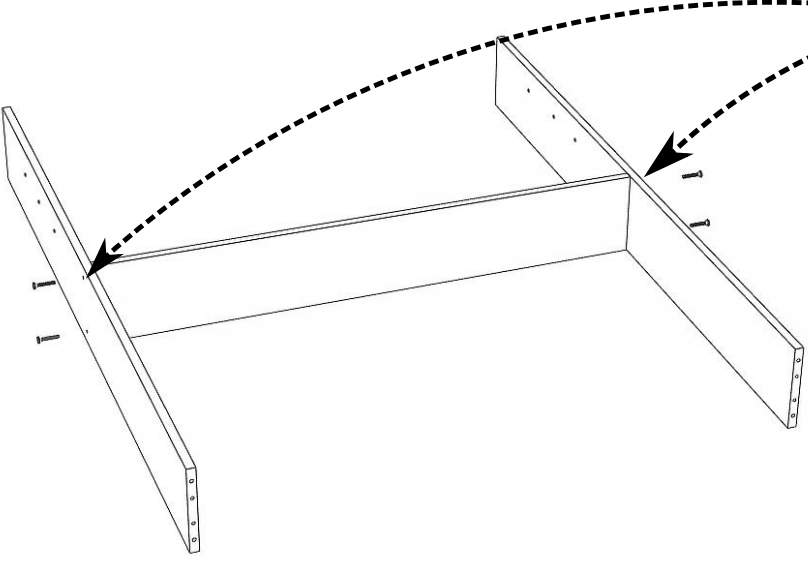
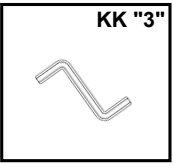
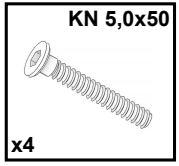
A	1820x220x18	1/5
B	1820x220x18	1/5
C	1300x220x18	1/5
D	1264x220x18	1/5
E	1300x220x18	1/5
F	1299x927x03	3/5
G	1710x1160x90	3/5
H	2050x225x40	2/5
I	2050x225x40	2/5
J	1700x225x40	2/5



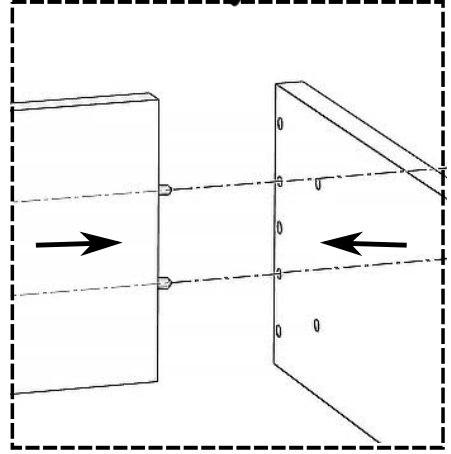
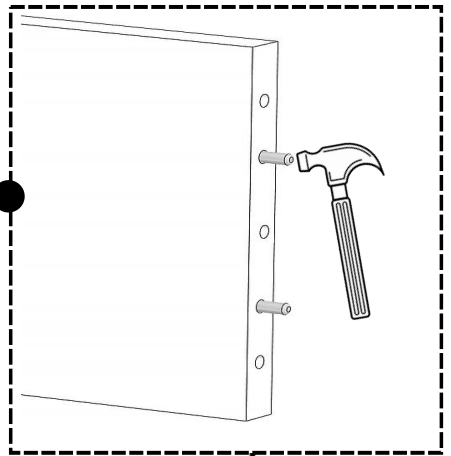
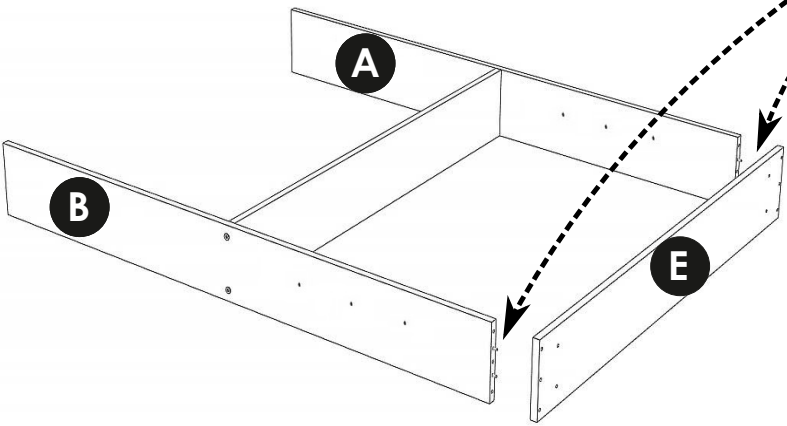
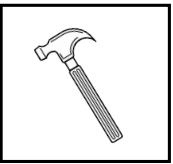
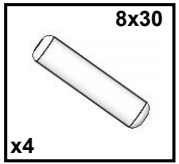
1



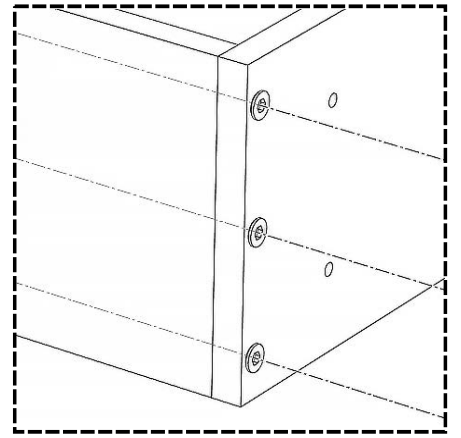
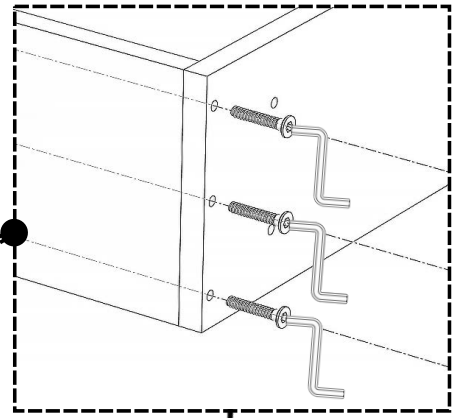
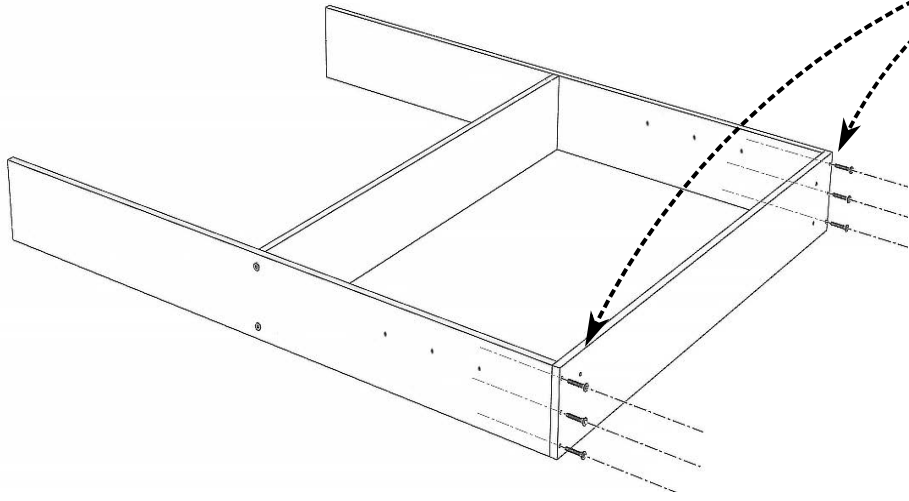
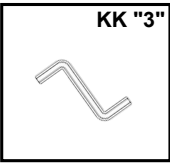
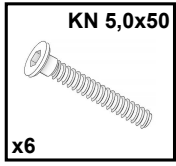
2



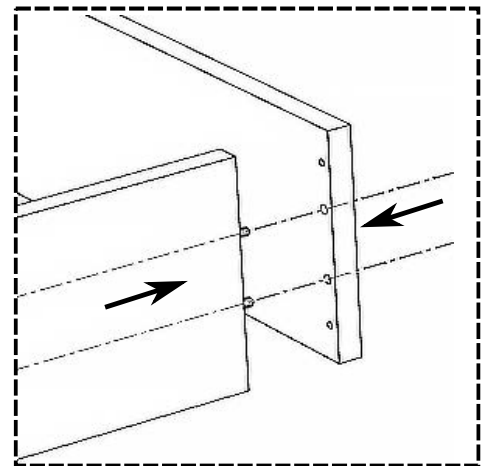
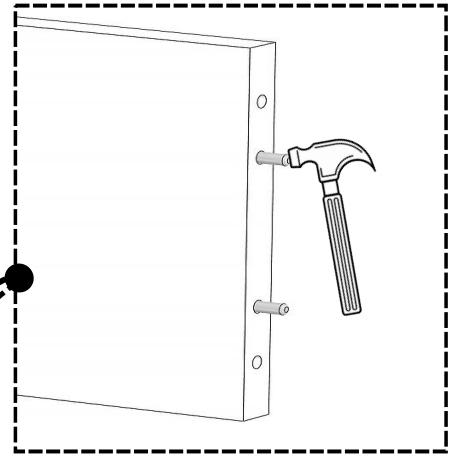
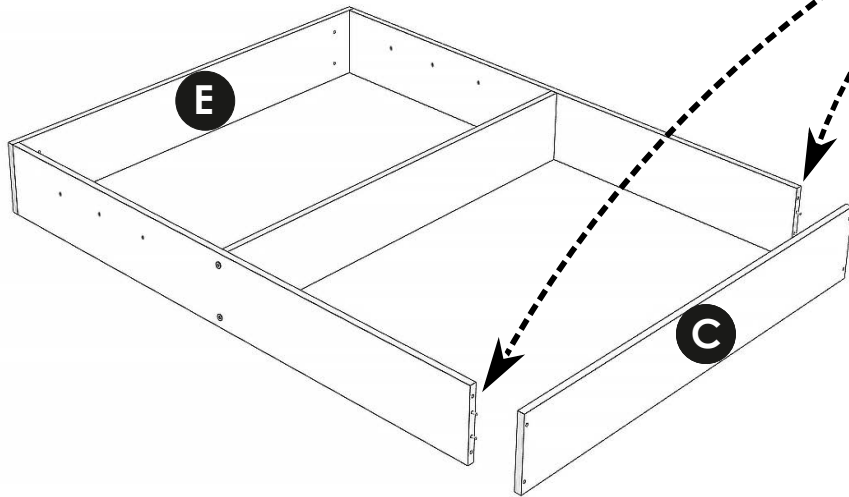
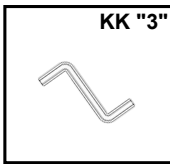
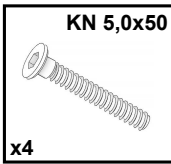
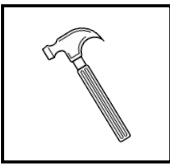
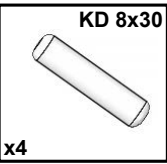
3



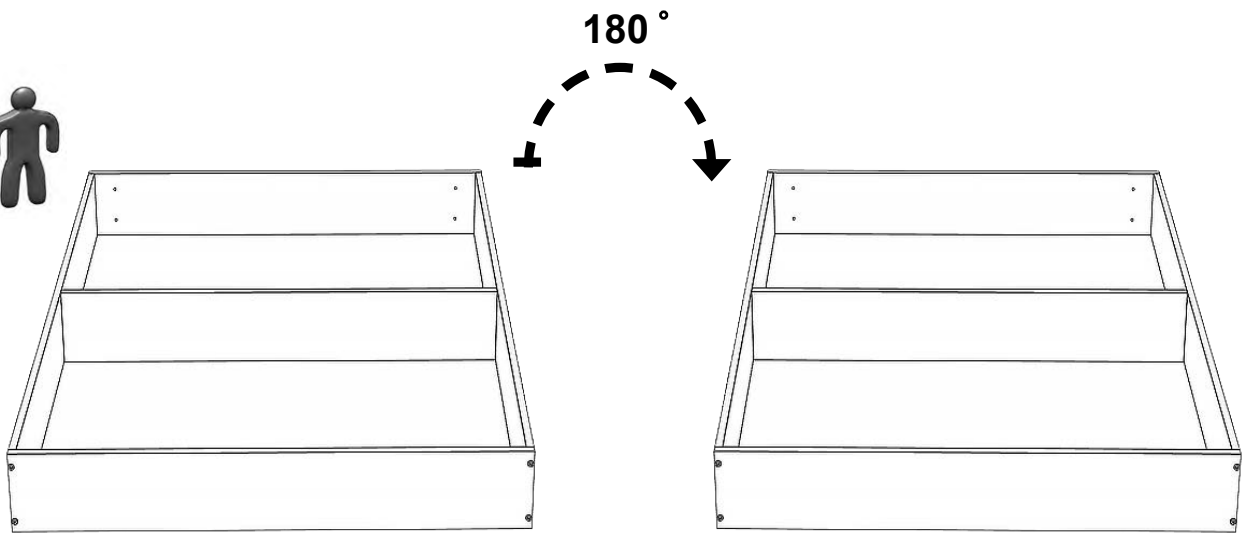
4



5



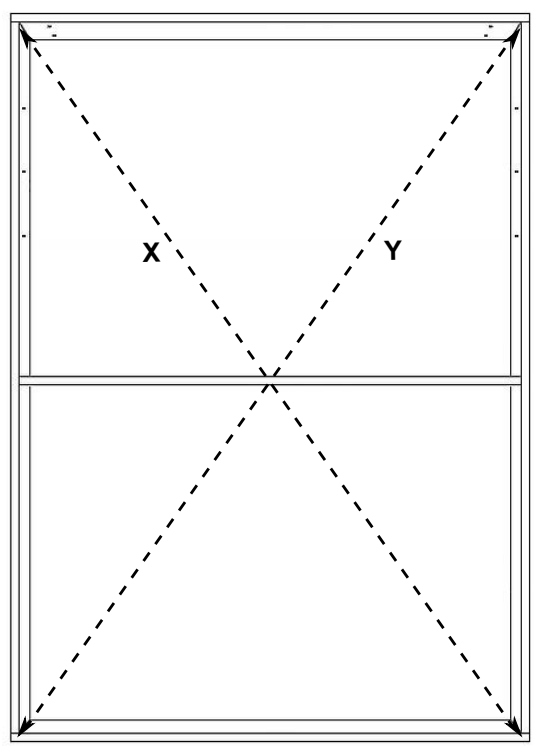
6



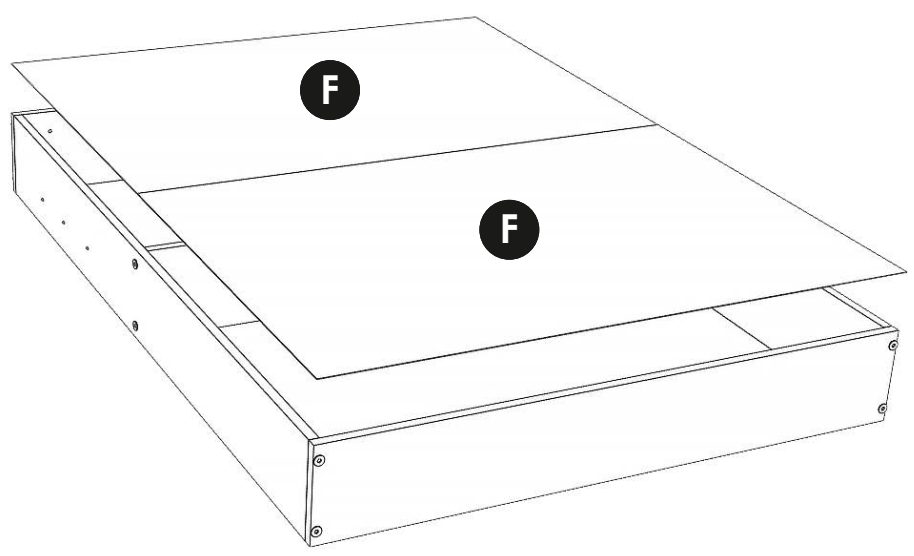
7



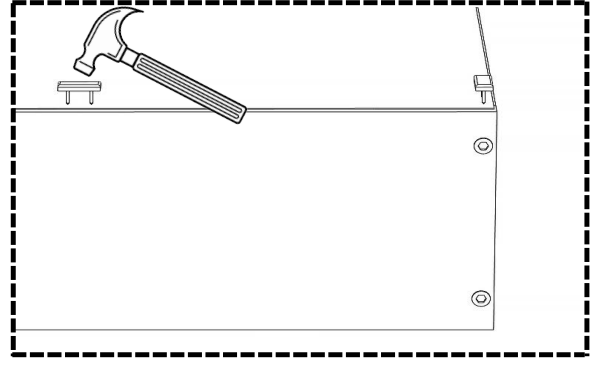
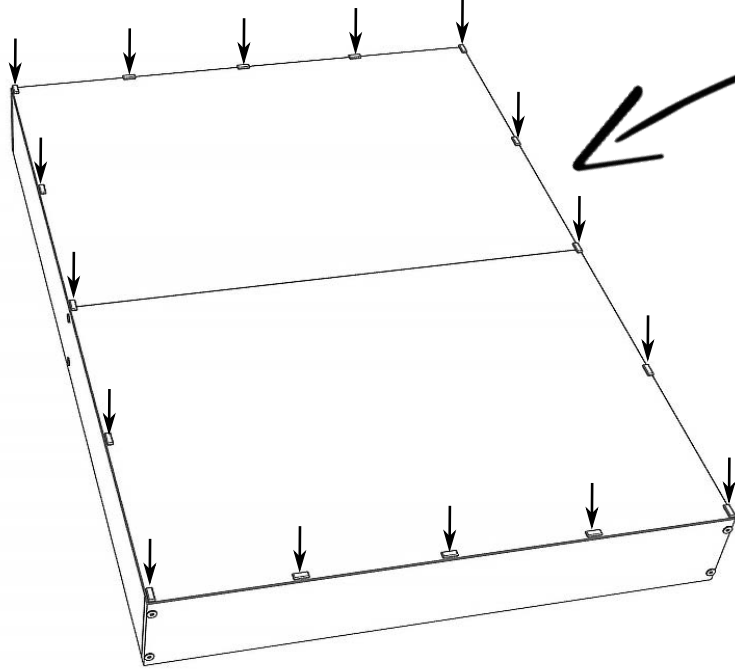
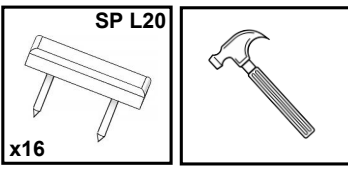
X=Y



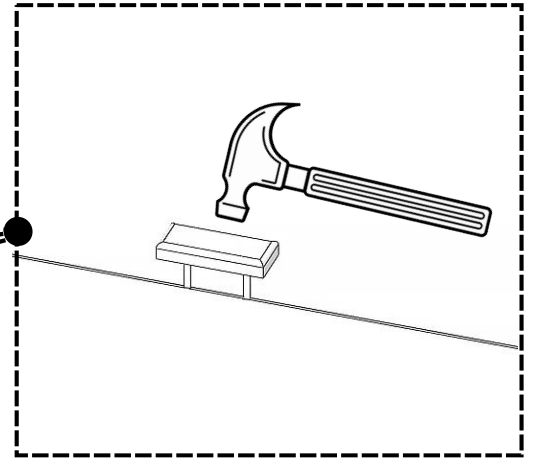
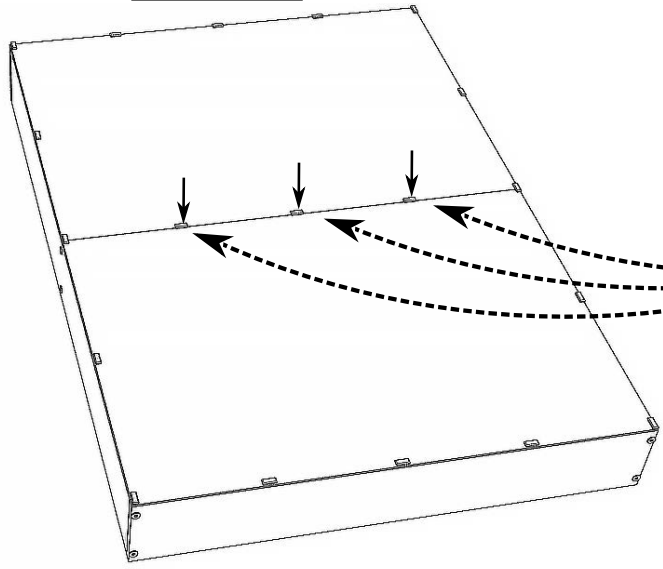
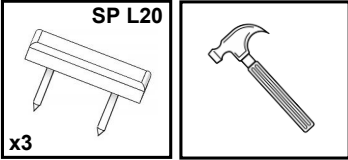
8



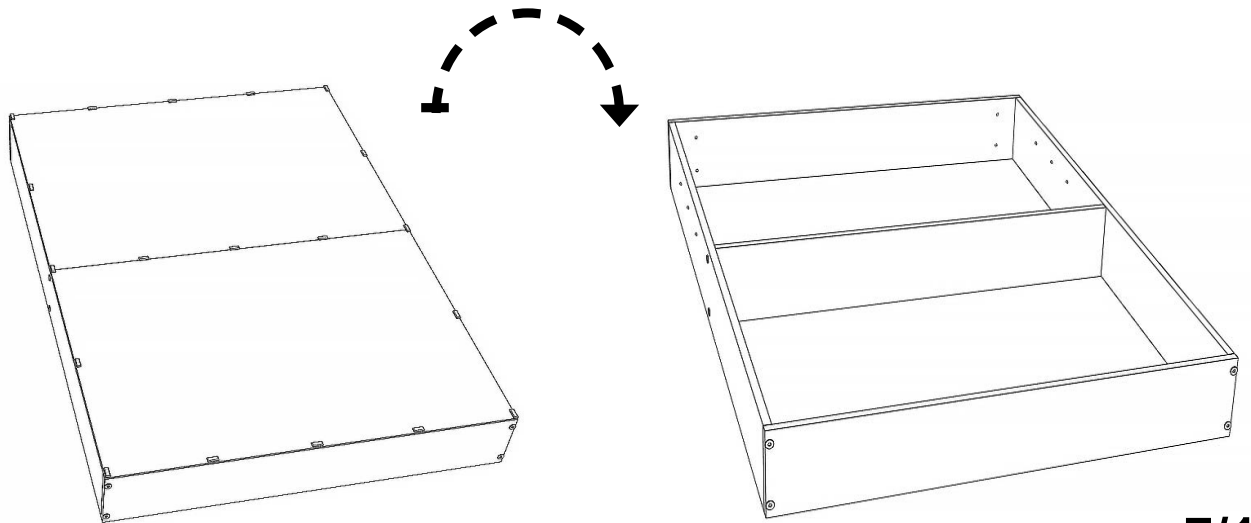
9

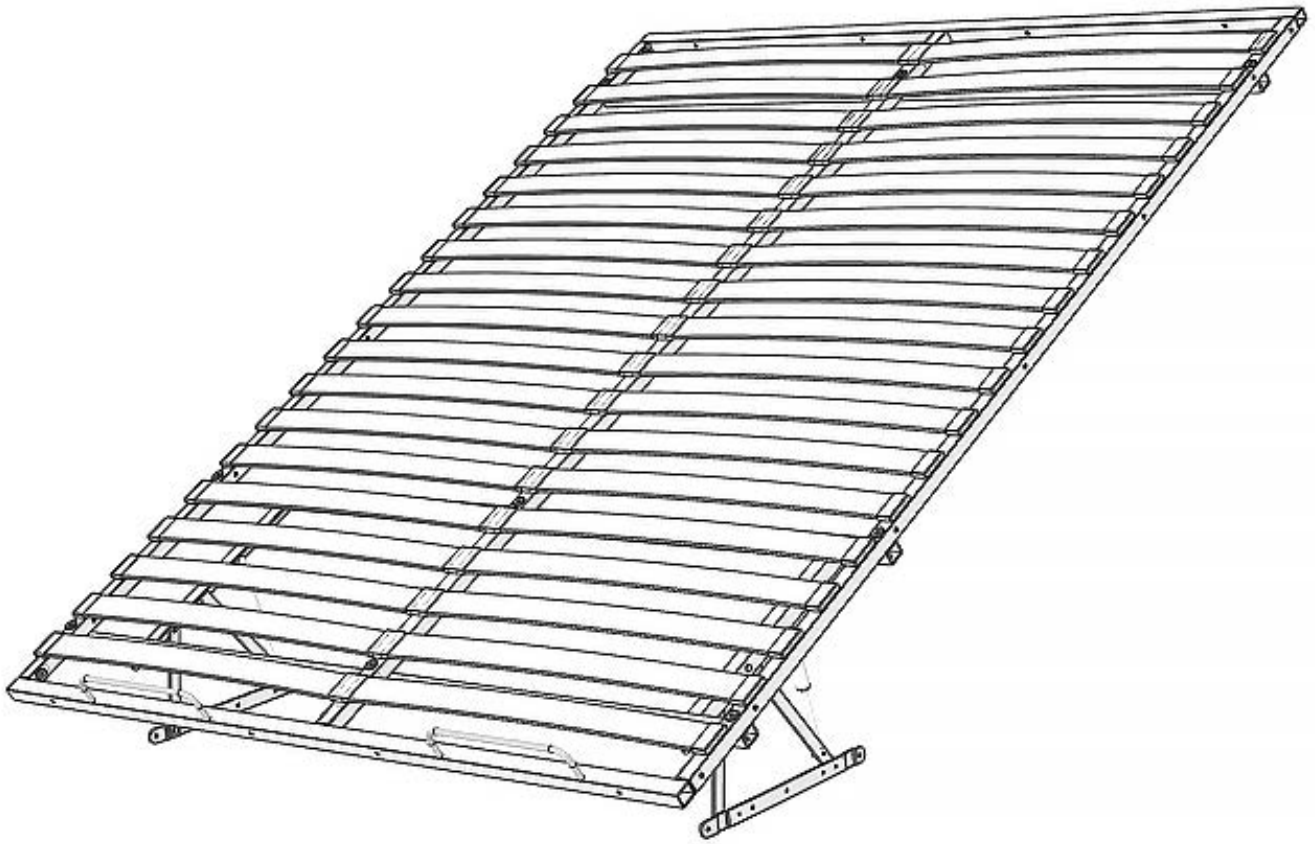


10



11





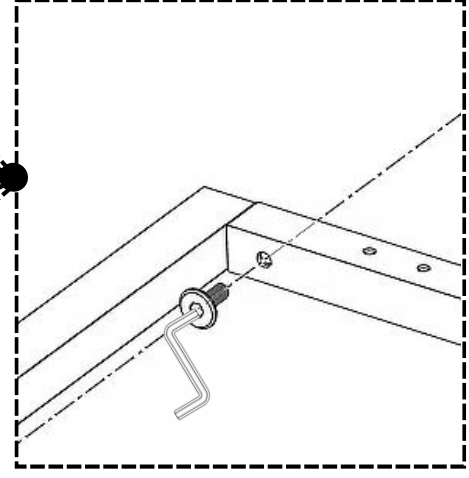
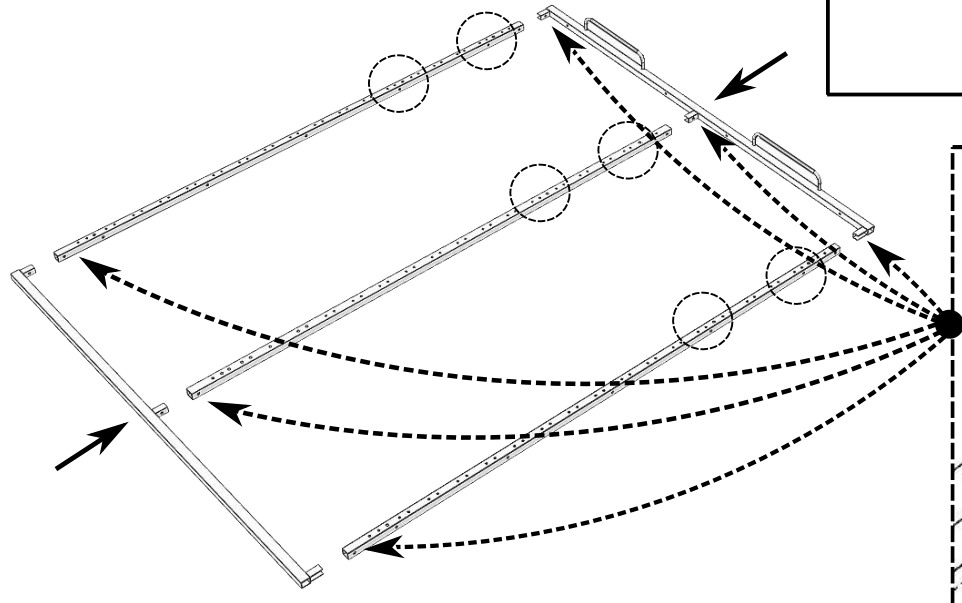
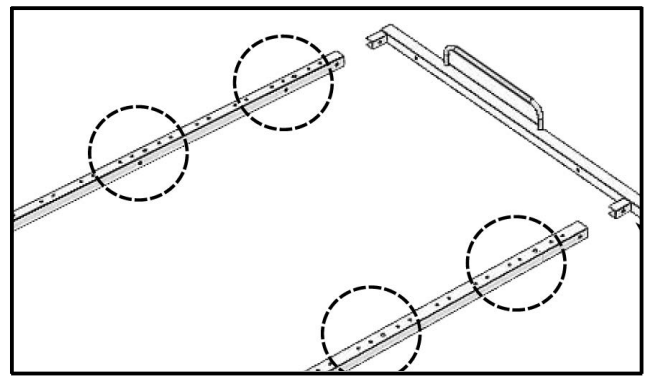
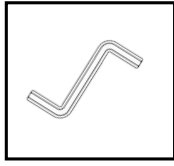
<p>1 - 1x</p>	<p>6 - 2x</p>	<p>17 - 6x</p> <p>M8x16</p>
<p>2 - 1x</p>	<p>8 - 36x</p>	<p>9 - 9x</p> <p>M8x50</p>
<p>3 - 2x</p>	<p>10 - 18x</p>	<p>11 - 9x</p> <p>M8x40</p>
<p>4 - 1x</p>	<p>12 - 8x</p> <p>M8</p>	<p>13 - 8x</p> <p>M8</p>
<p>5 - 3x</p>	<p>14 - 36x</p> <p>775x52x8mm</p>	<p>15 - 2x</p>

12

17 - 6x



M8x16

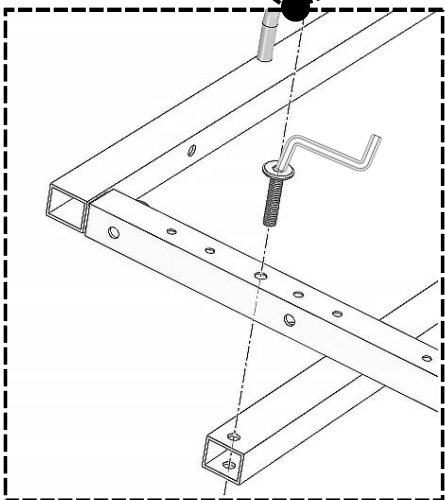
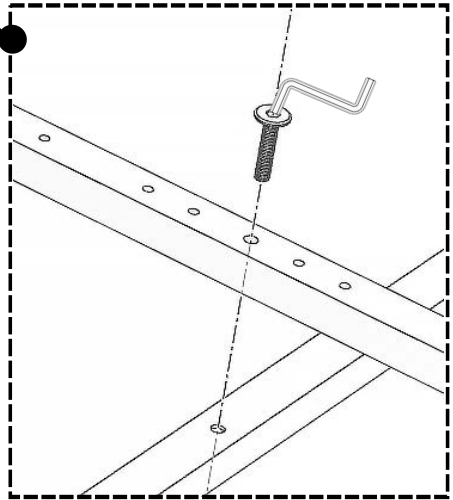
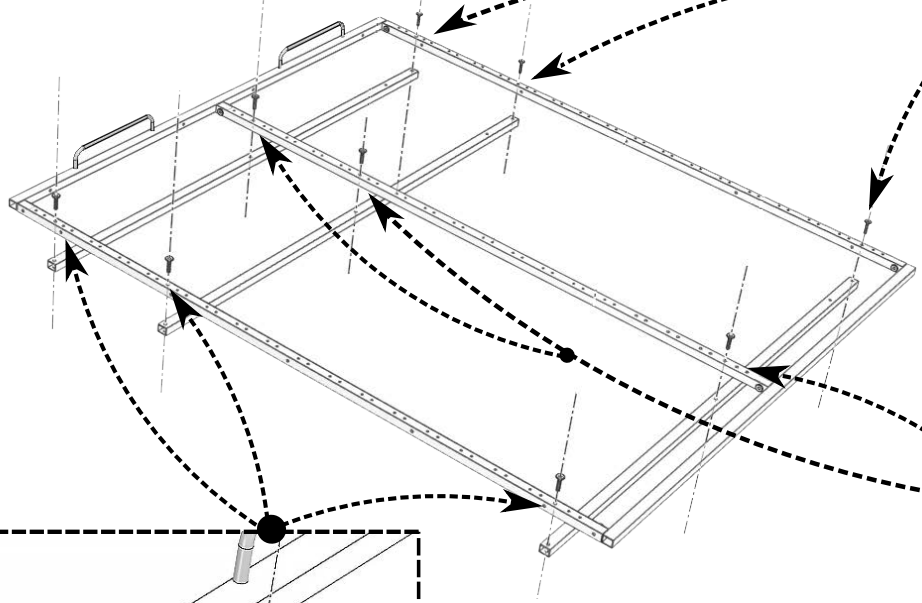
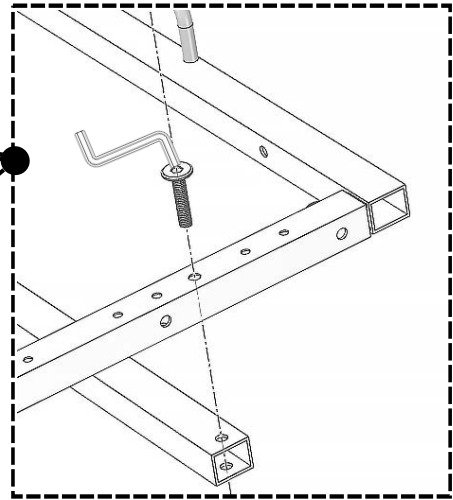
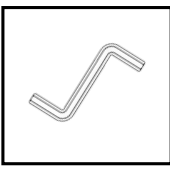


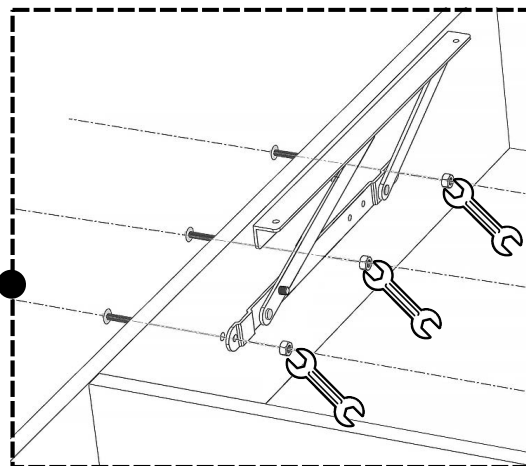
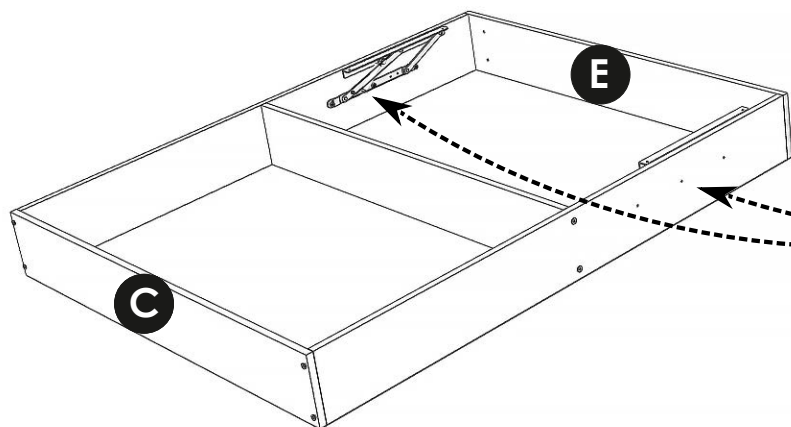
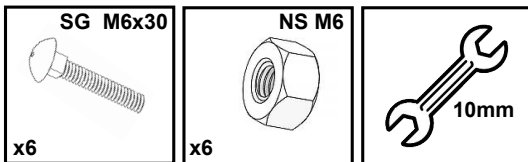
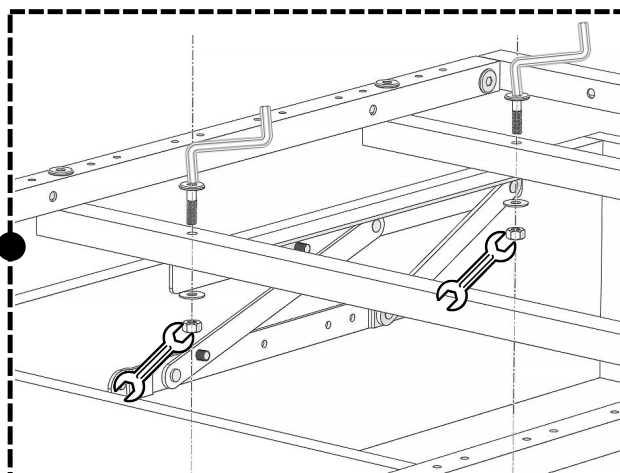
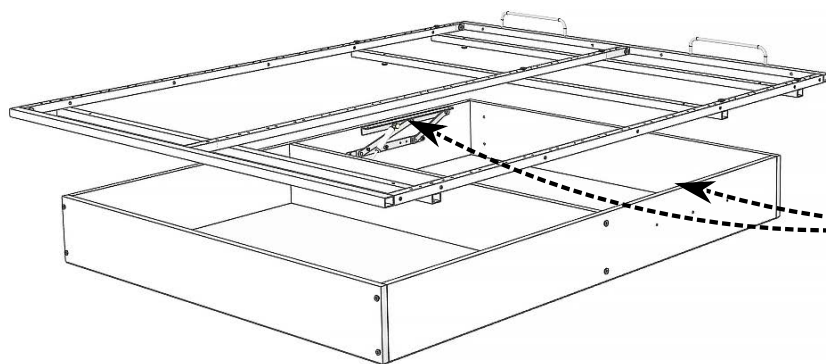
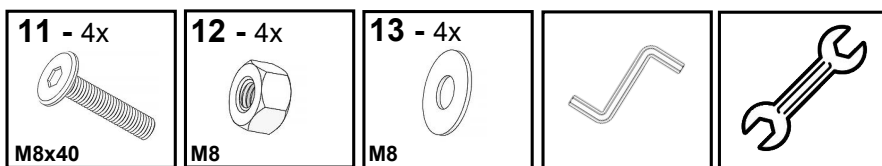
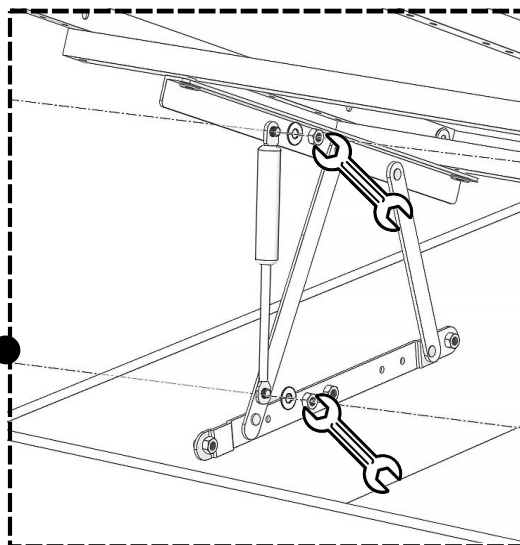
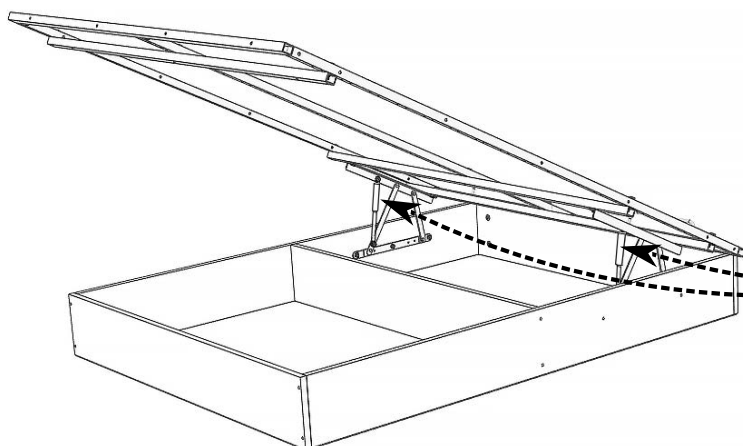
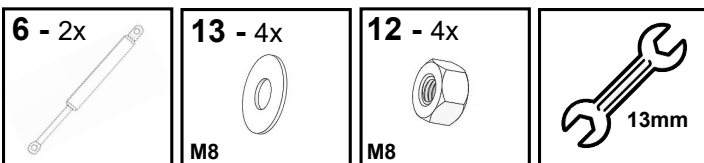
13

9 - 9x



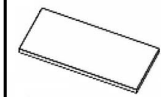
M8x50



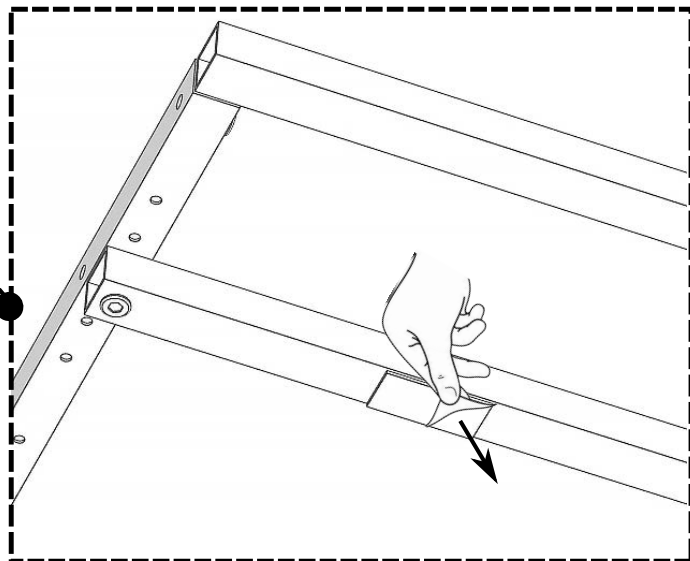
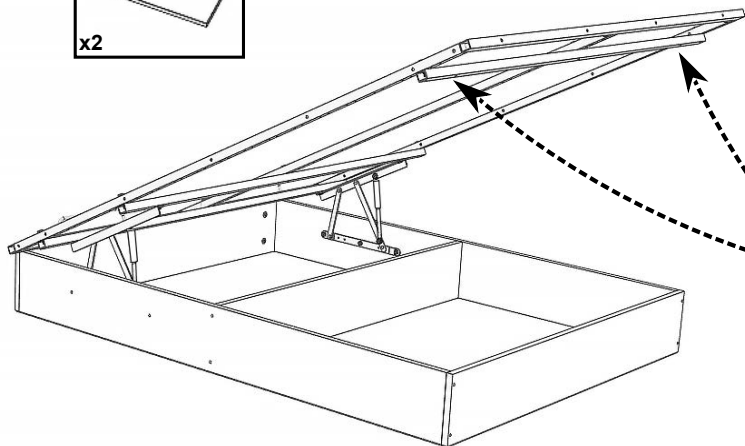
14**15****16**

17

FP 40x20



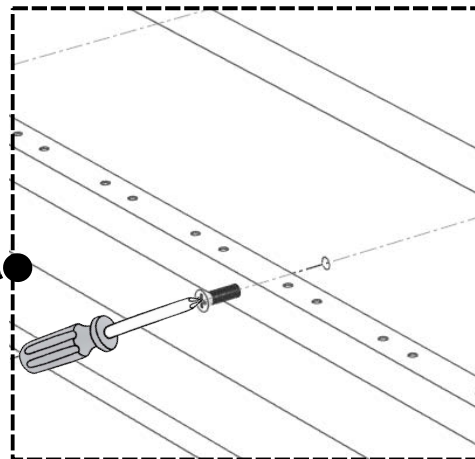
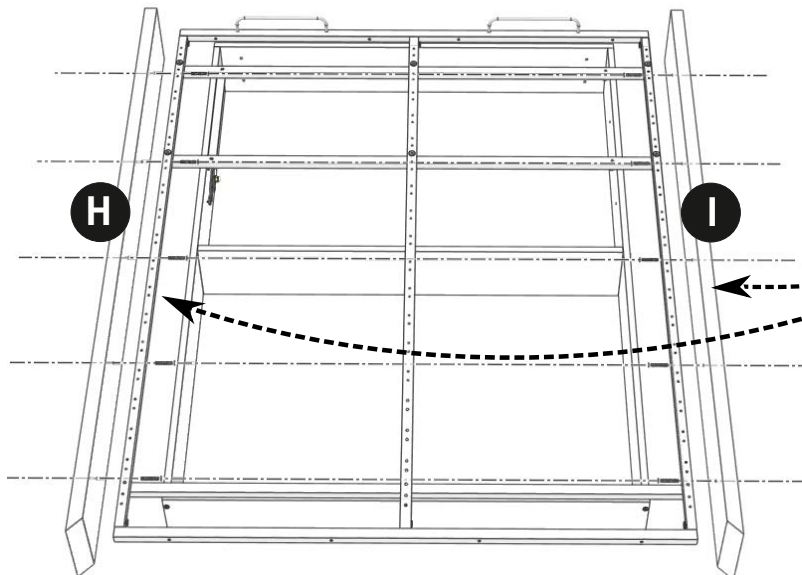
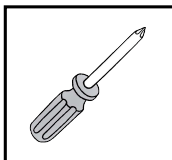
x2

**18**

SK M6x50



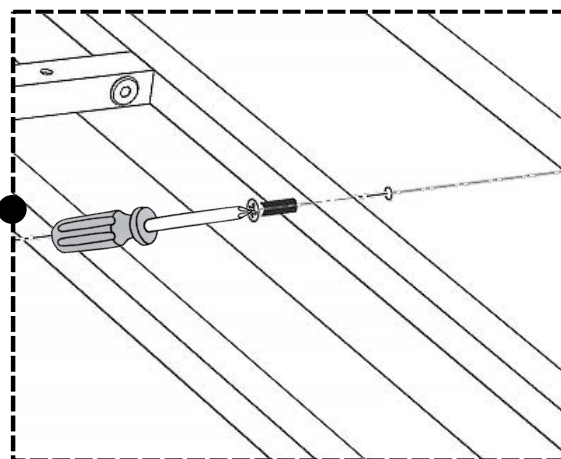
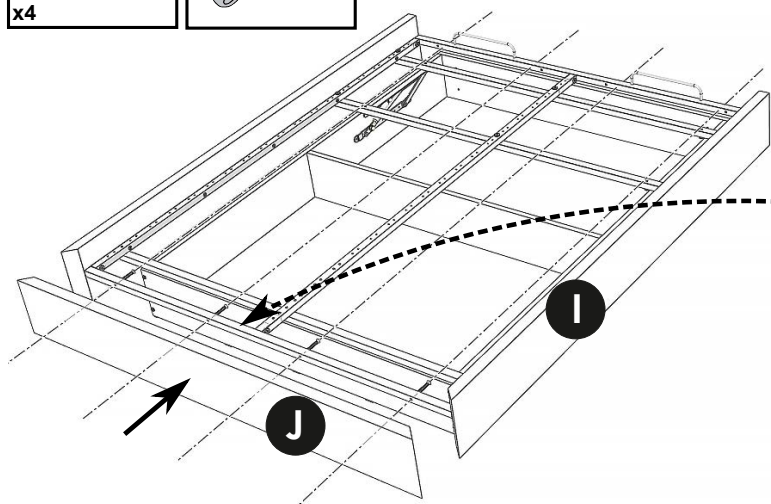
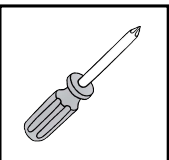
x10

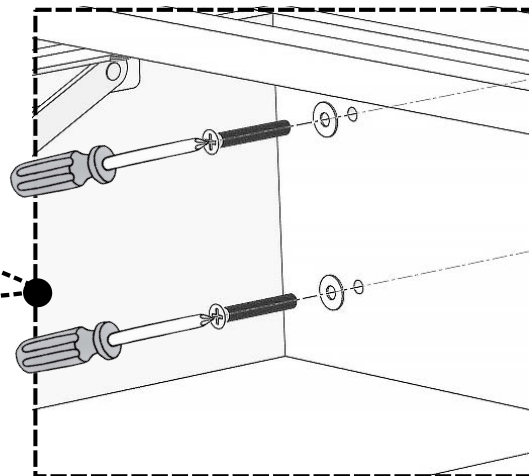
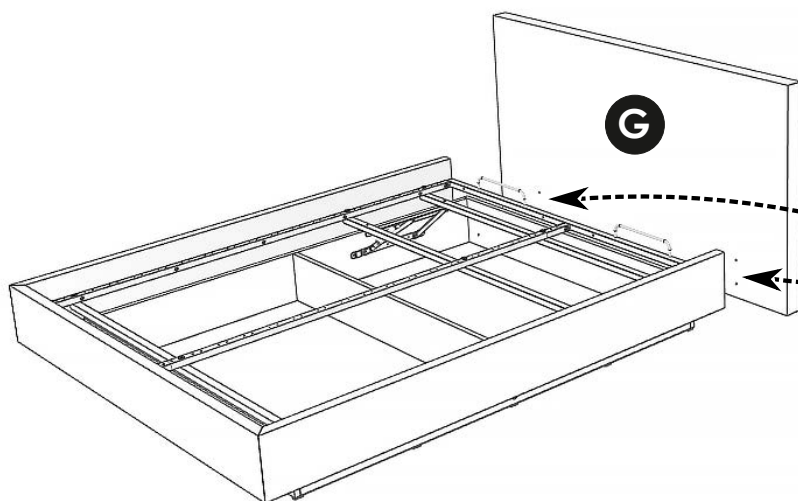
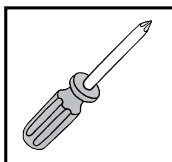
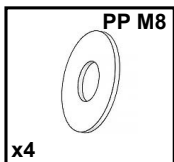
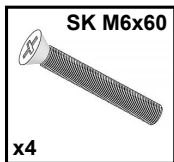
**19**

SK M6x50

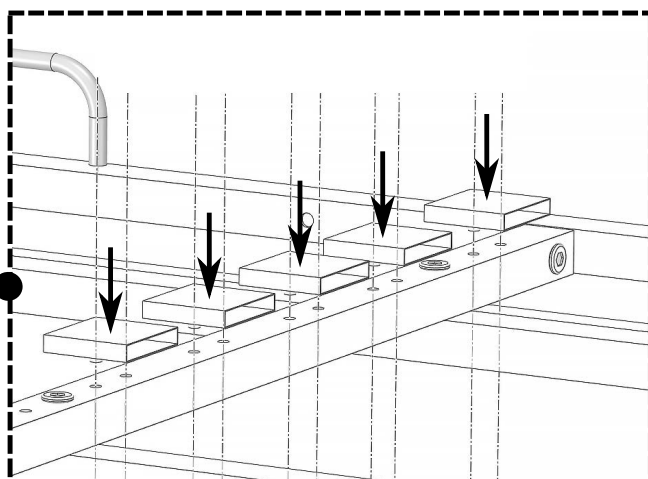
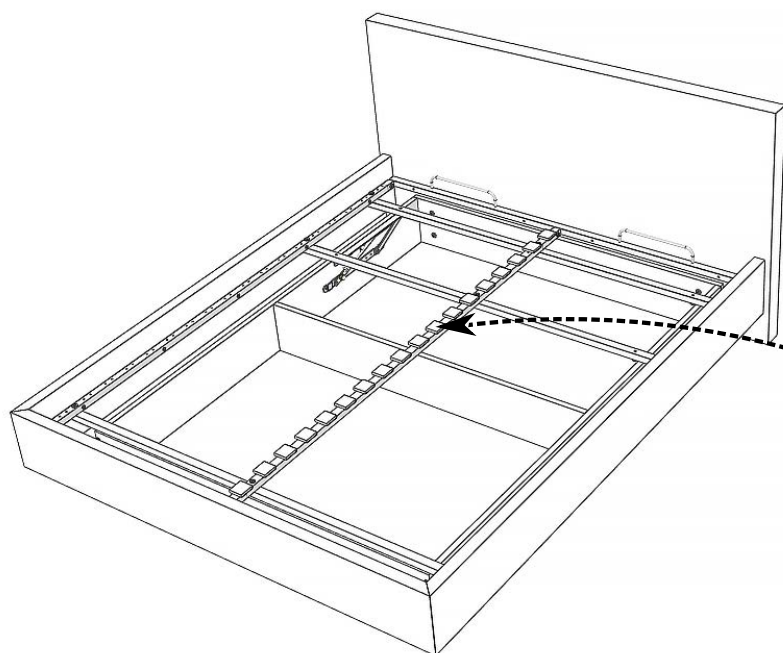
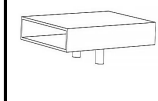


x4



20**21**

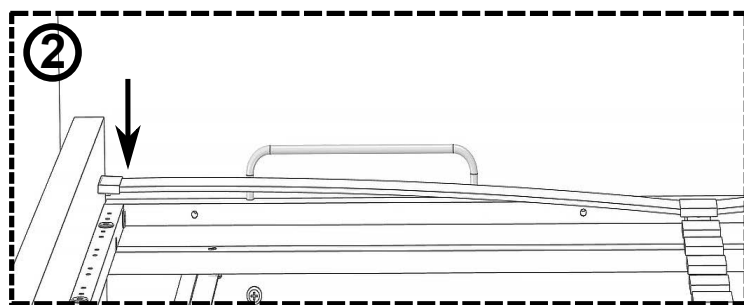
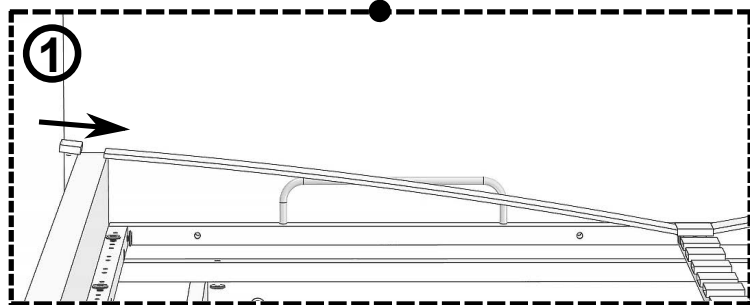
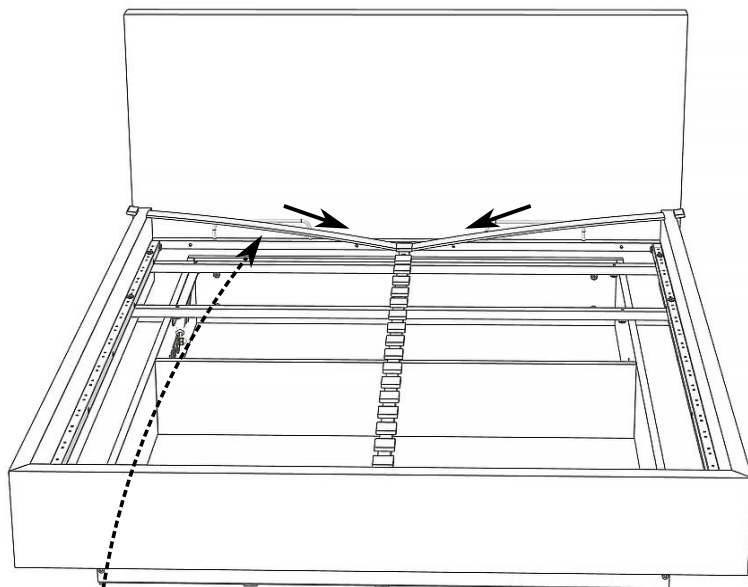
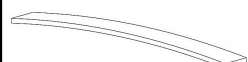
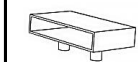
10 - 18x



22

8 - 36x

14 - 36x



23

NC F114



x8

