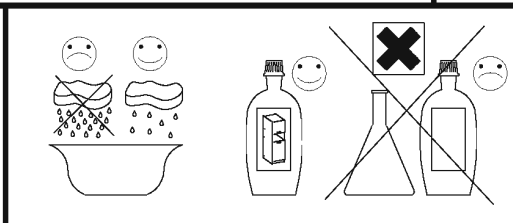
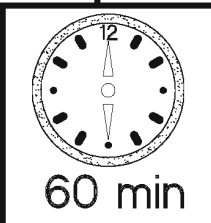
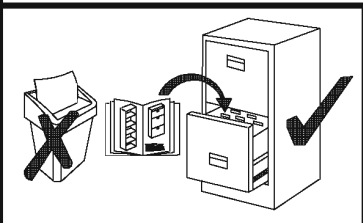
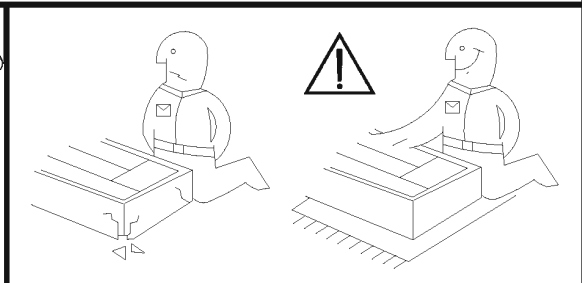
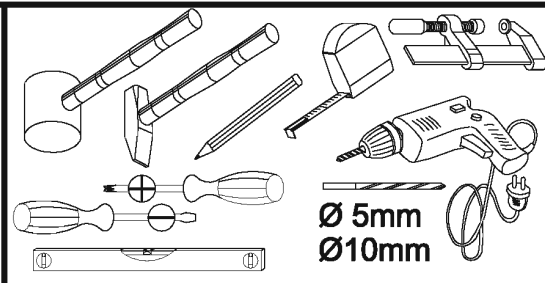
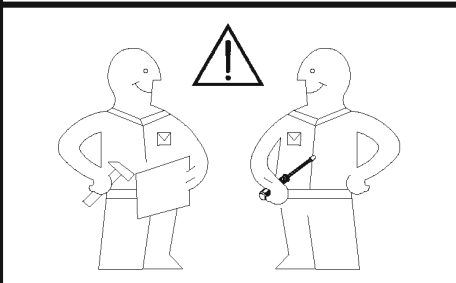
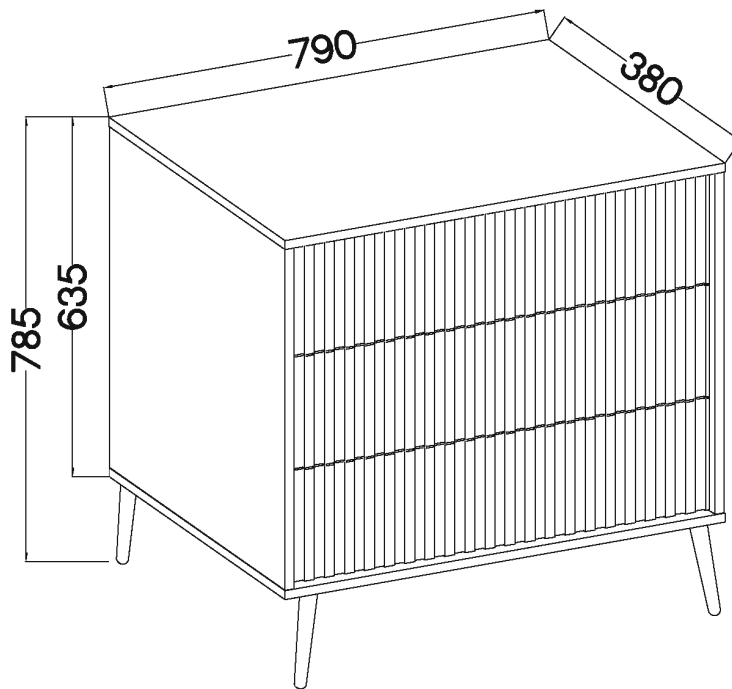
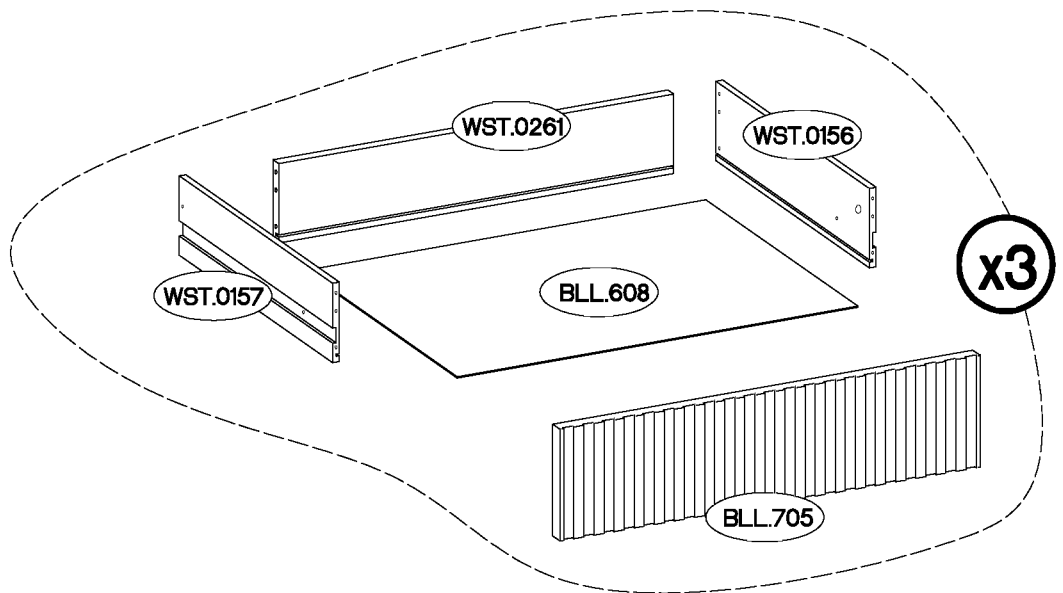
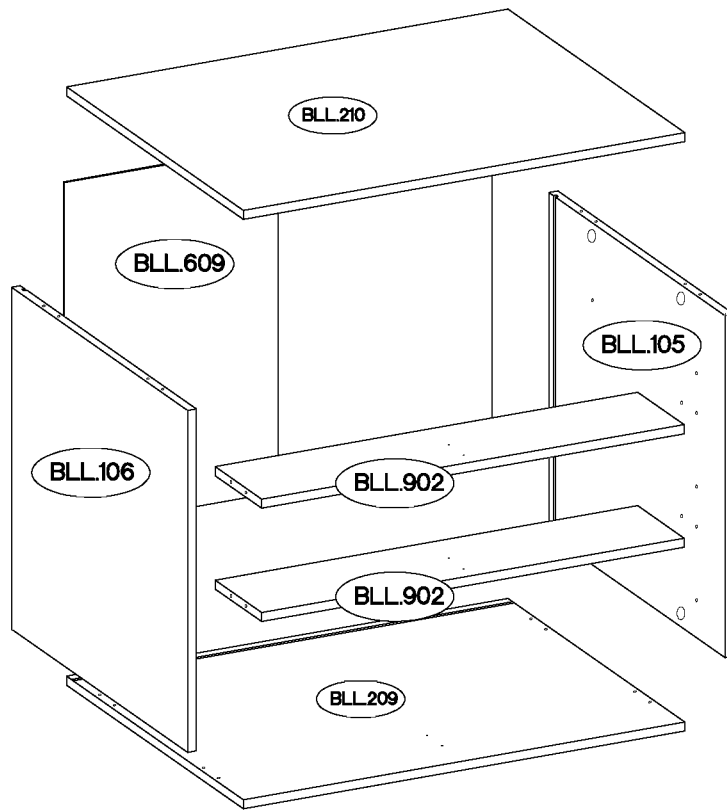


Komoda | Chest of Drawers | Kommode | La commode

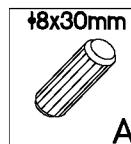
BELLO



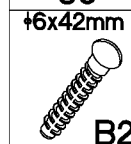


BLL.608

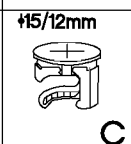
Ersatzteil Nummer	Dimension
BLL.105	603x379x16
BLL.106	603x379x16
BLL.209	790x380x16
BLL.210	790x380x16
BLL.902 x2	756x100x16
BLL.609	612x765x2,5
BLL.608 x3	717x327x2,5
WST.0156 x3	330x140x12
WST.0157 x3	330x140x12
WST.0261 x3	706x140x12
BLL.705 x3	196x752x16



36



6



12



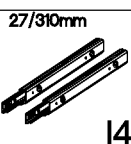
6



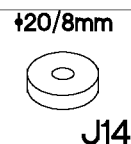
14



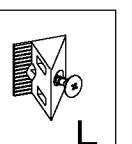
4



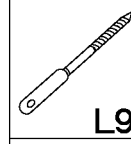
3



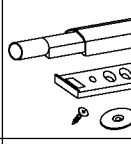
12



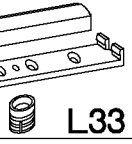
30



12



1



16


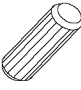


7

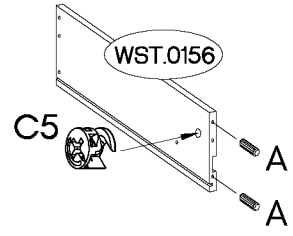
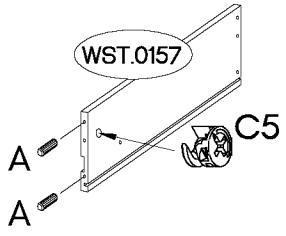
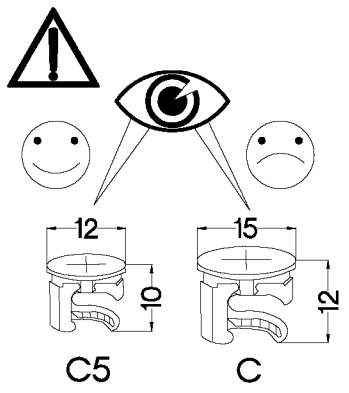
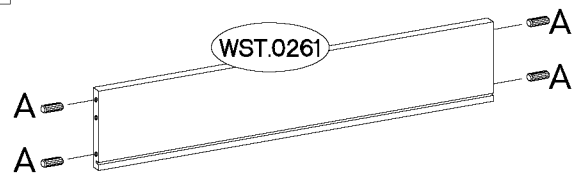
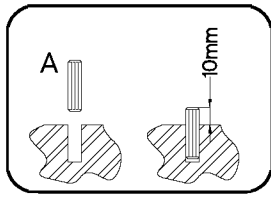
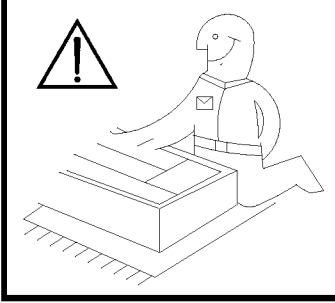


6

1


+12/10mm  C5 6	+8x30mm  A 24
---	--

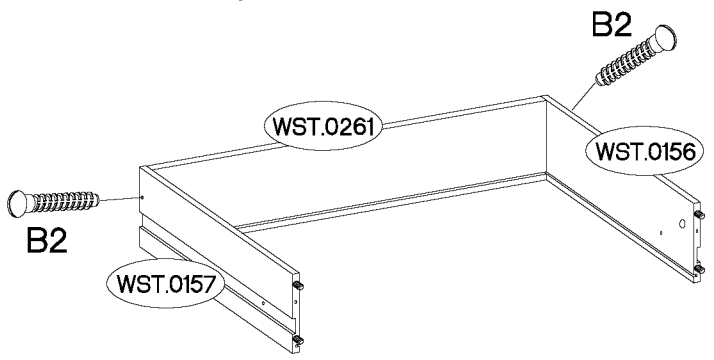
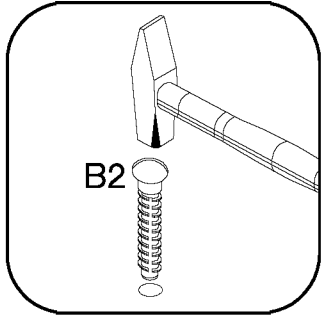
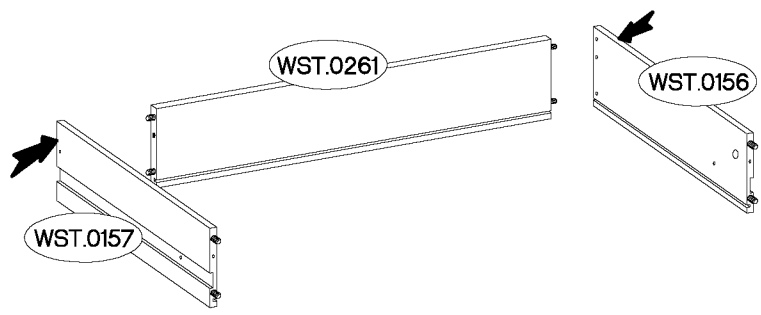
x3



2

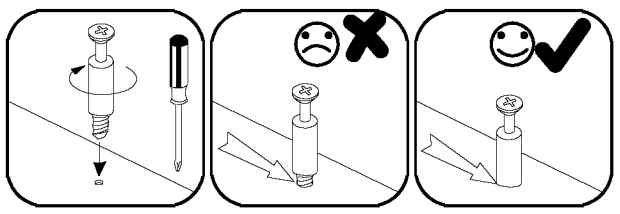
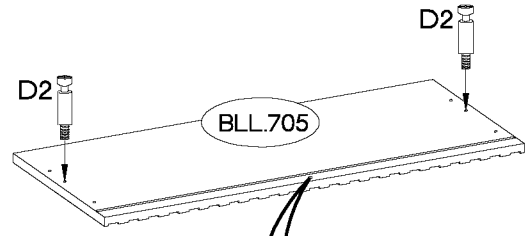
x3


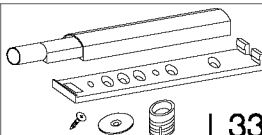
+6x42mm  B2 6

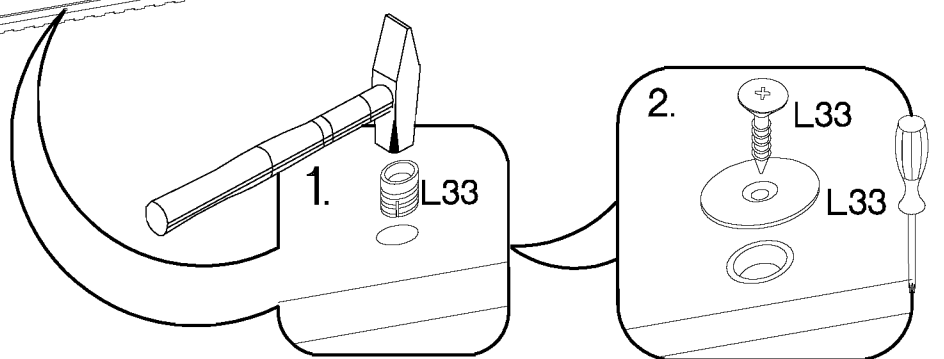


3

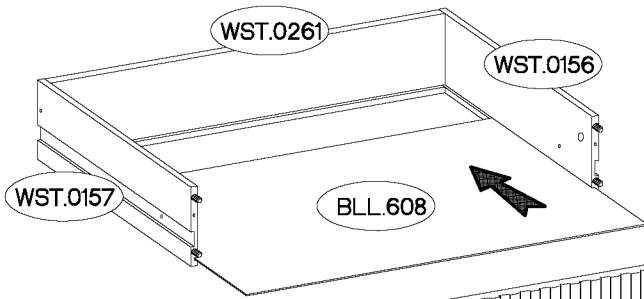
x3



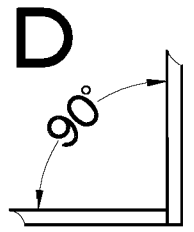
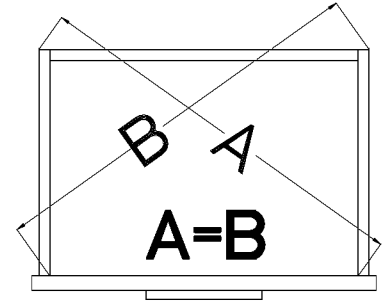
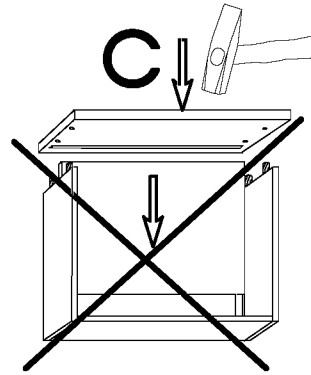
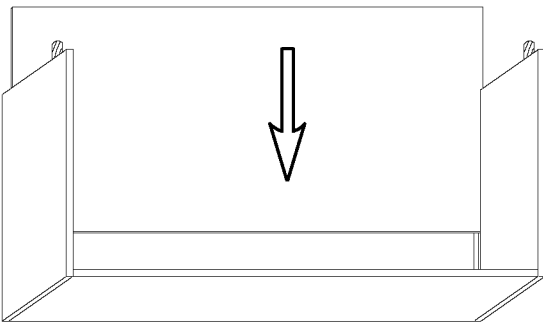
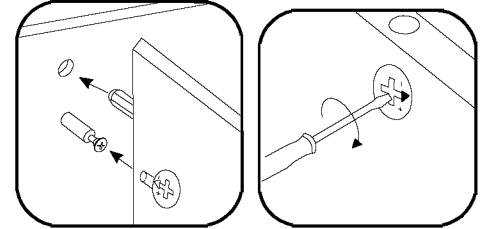
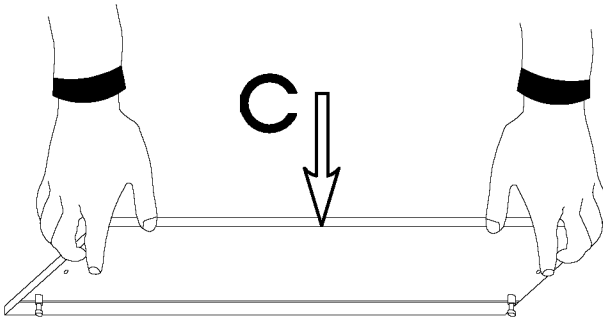
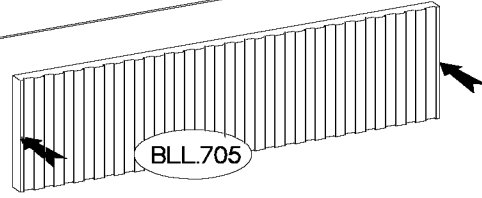
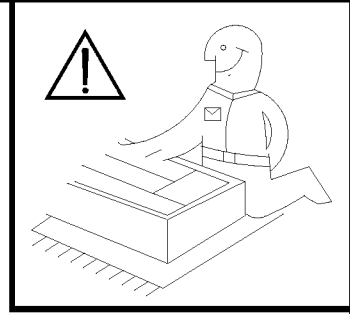
L=20mm  D2 6	 L33 3
---	---



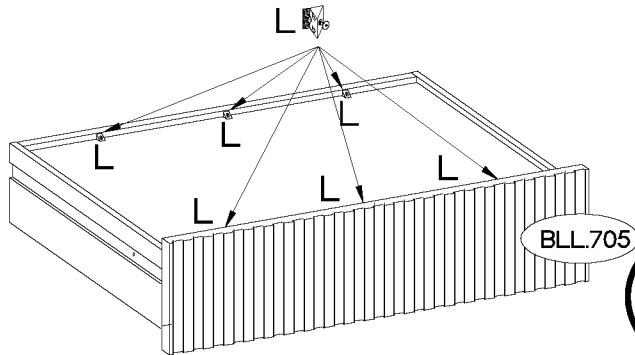
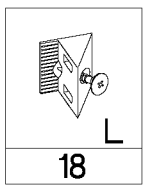
4



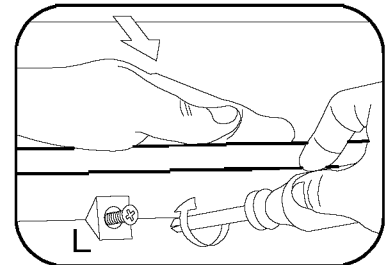
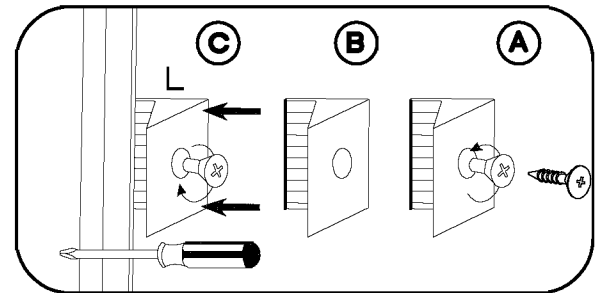
x3






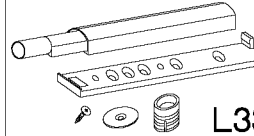

5

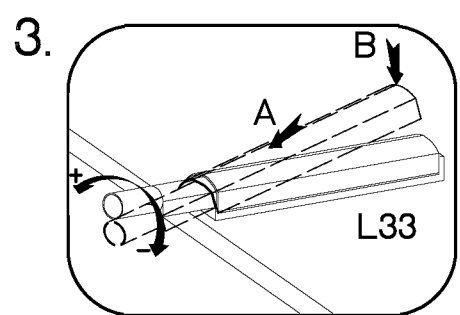
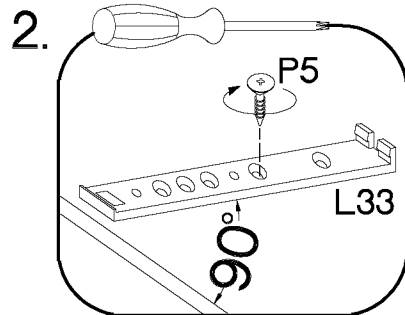
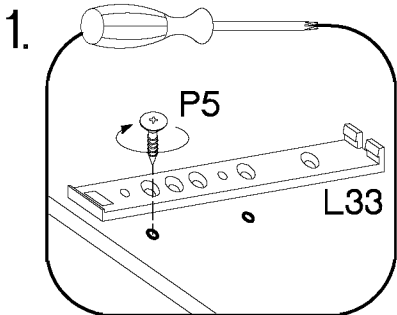
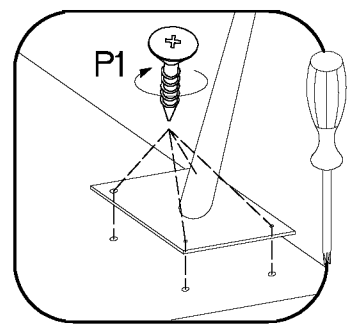
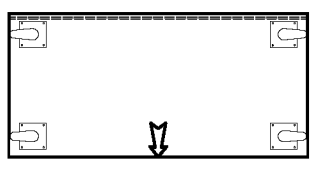
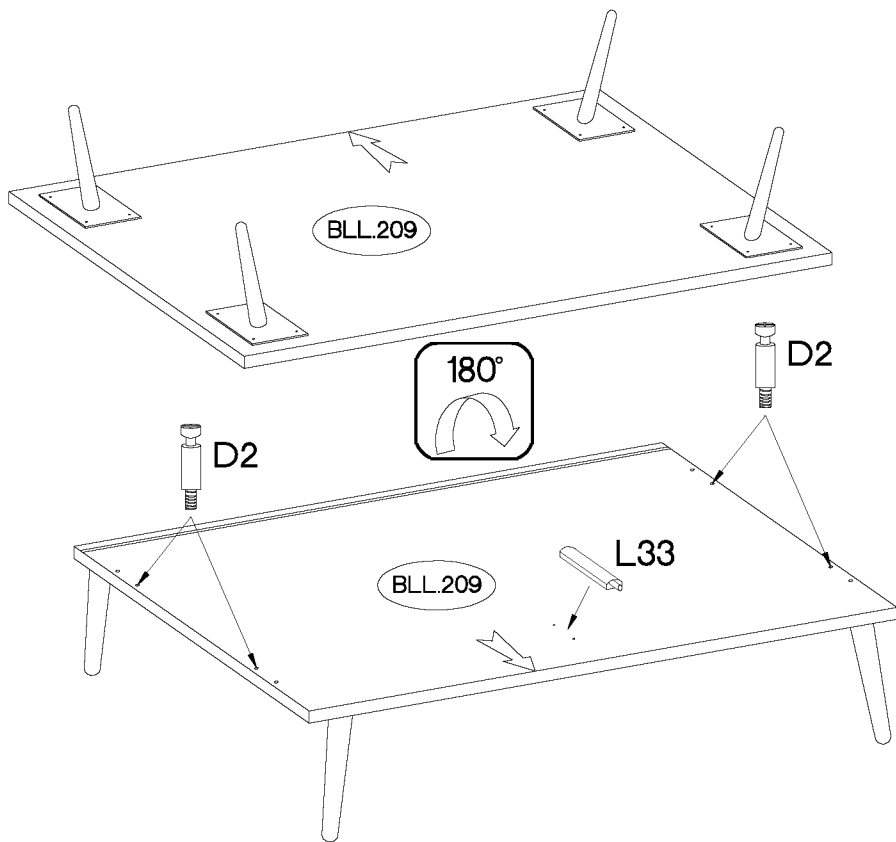
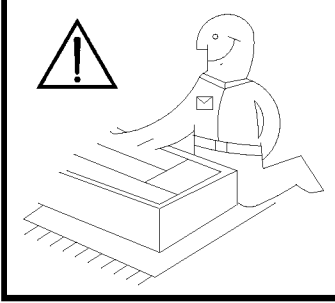


x3

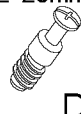


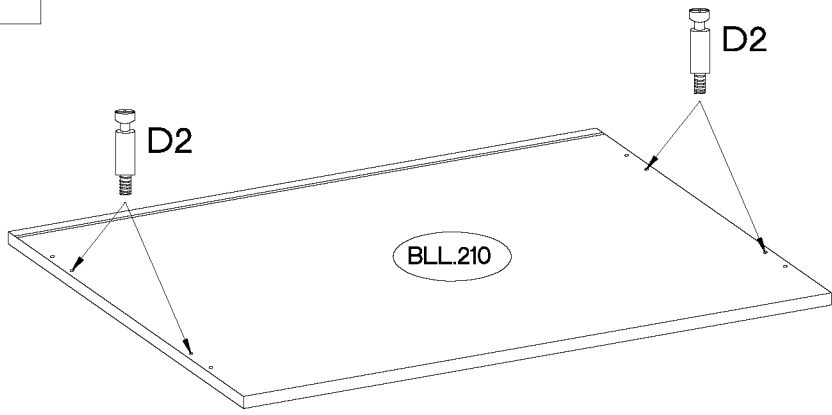
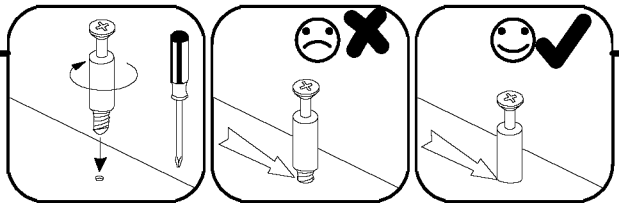
6

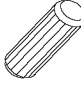


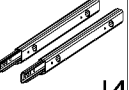


L=20mm  D2 4	L=150mm  F31 4	4.0x16mm  P1 16	 L33 1	3.5x13mm  P5 2
---	---	--	--	---

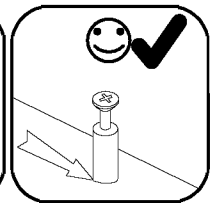
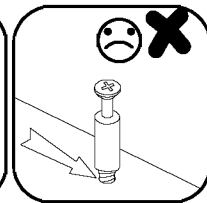
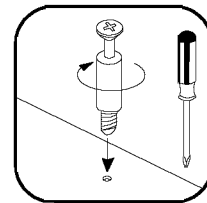
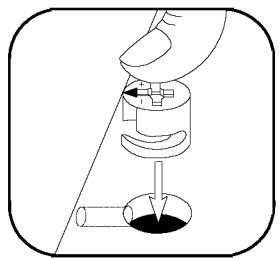
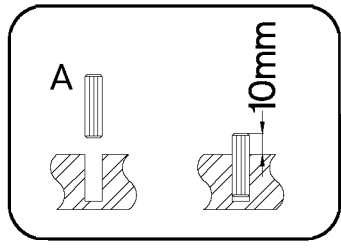
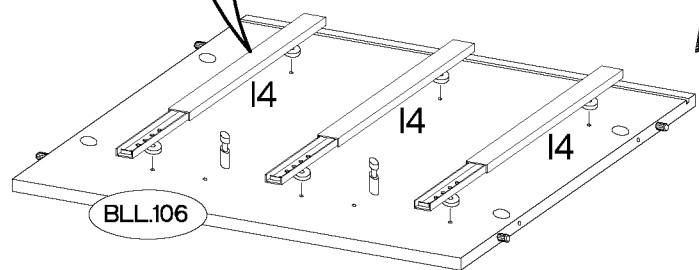
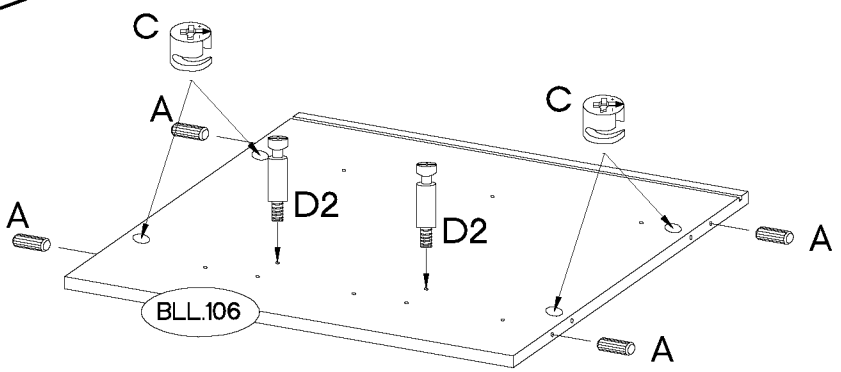
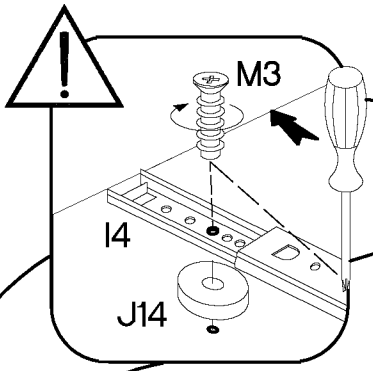
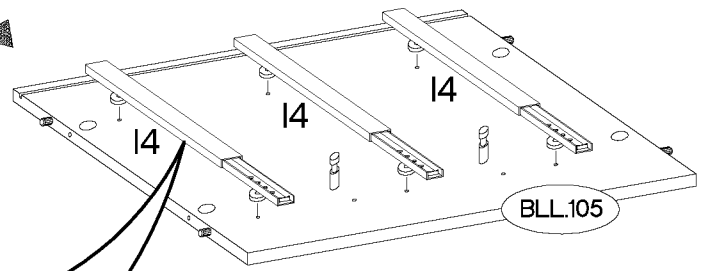
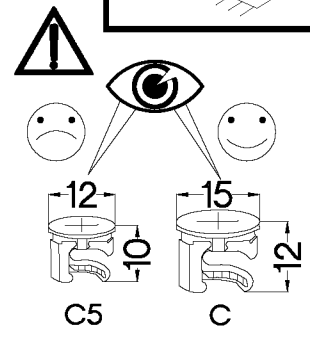
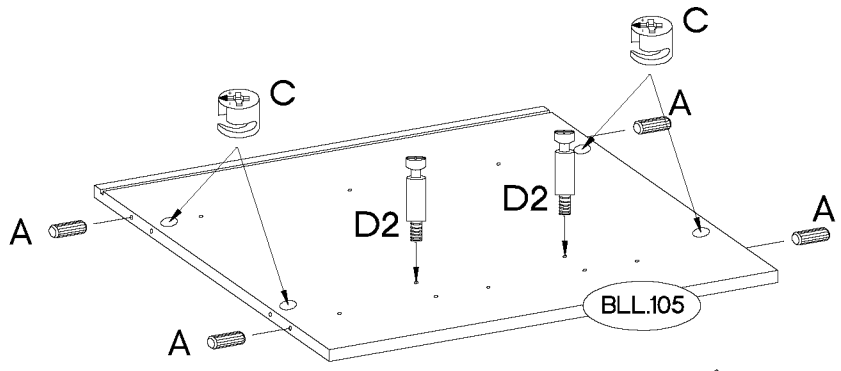
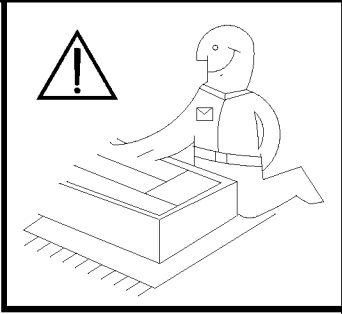


7


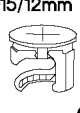
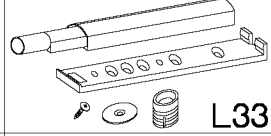

L=20mm  D2 4
--

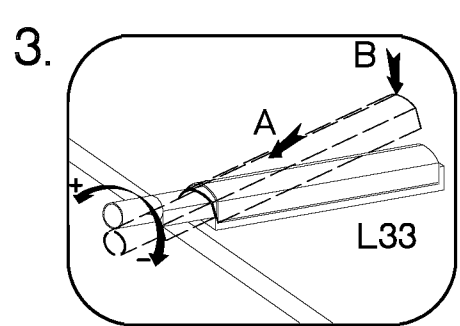
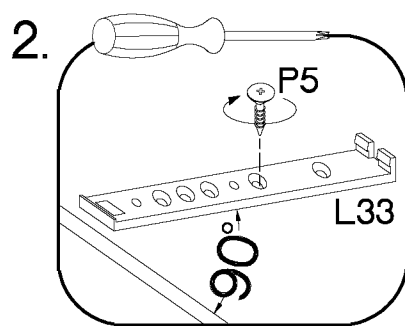
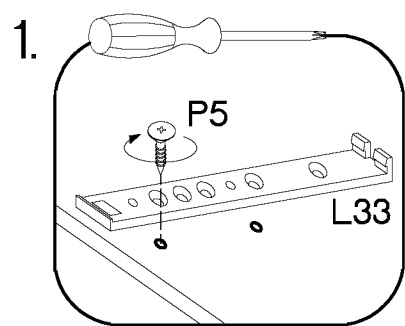
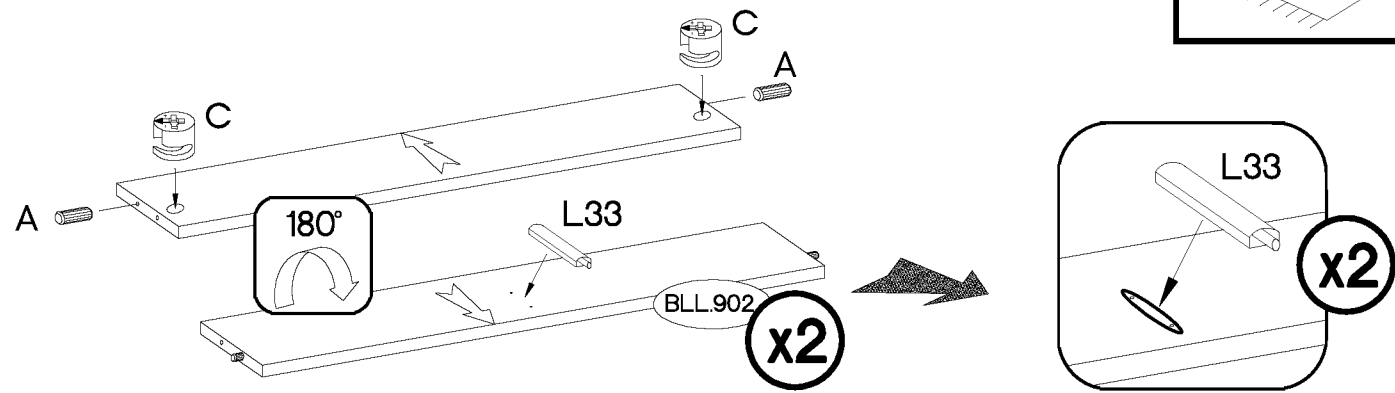
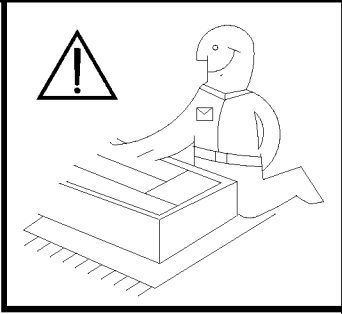


+8x30mm  A	+15/12mm  C	L=20mm  D2	27/310mm  I4	+20/8mm  J14	+6.3x20mm  M3
8	8	4	3	12	12

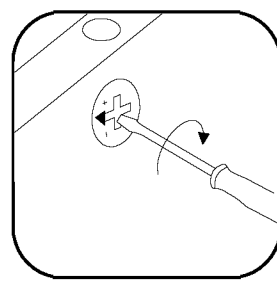
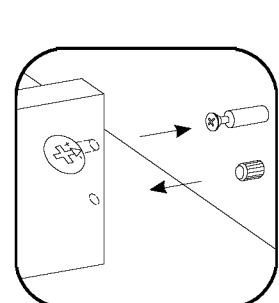
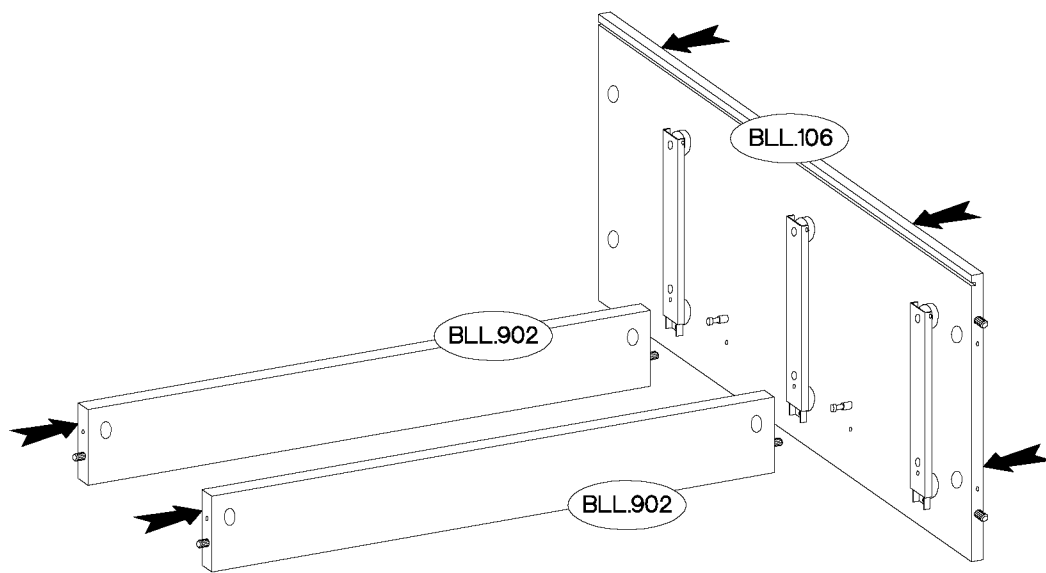


9

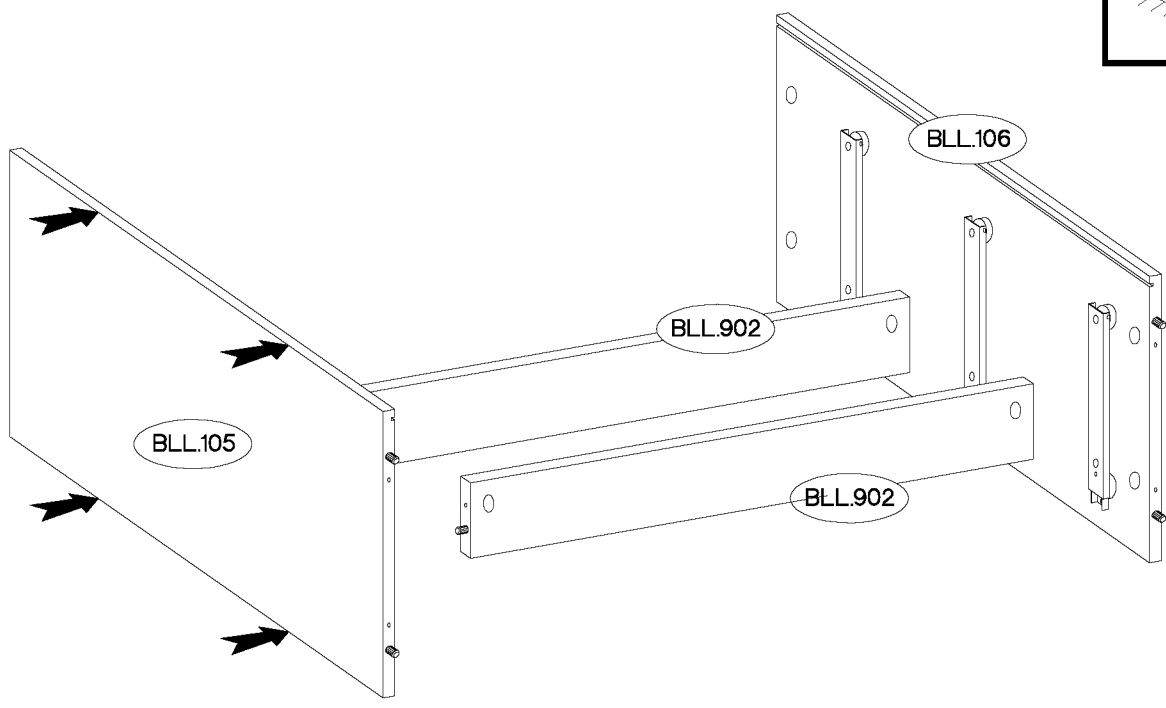
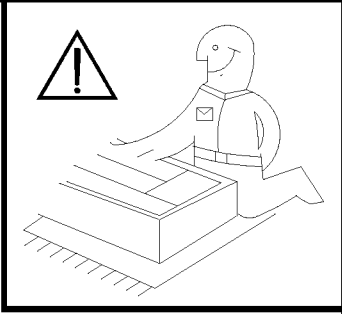
±8x30mm  A 4	±15/12mm  C 4	 L33 2	±3.5x13mm  P5 4
---	--	--	--



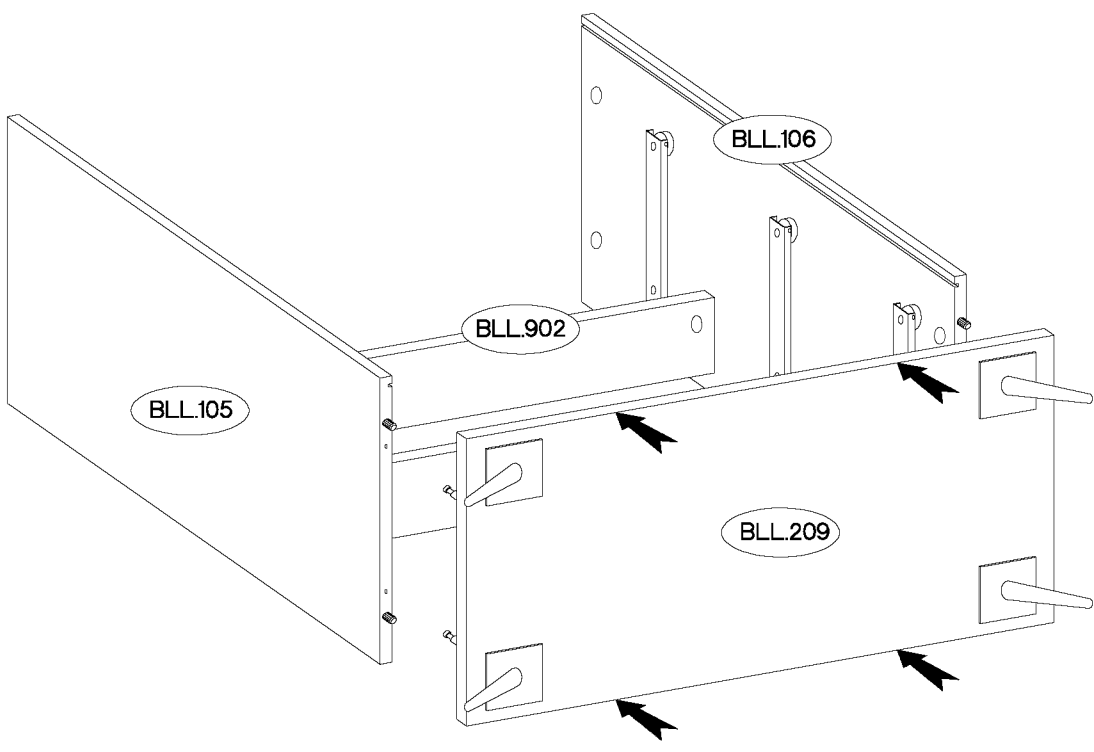
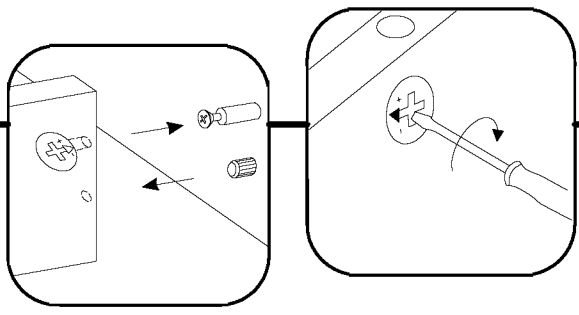
10



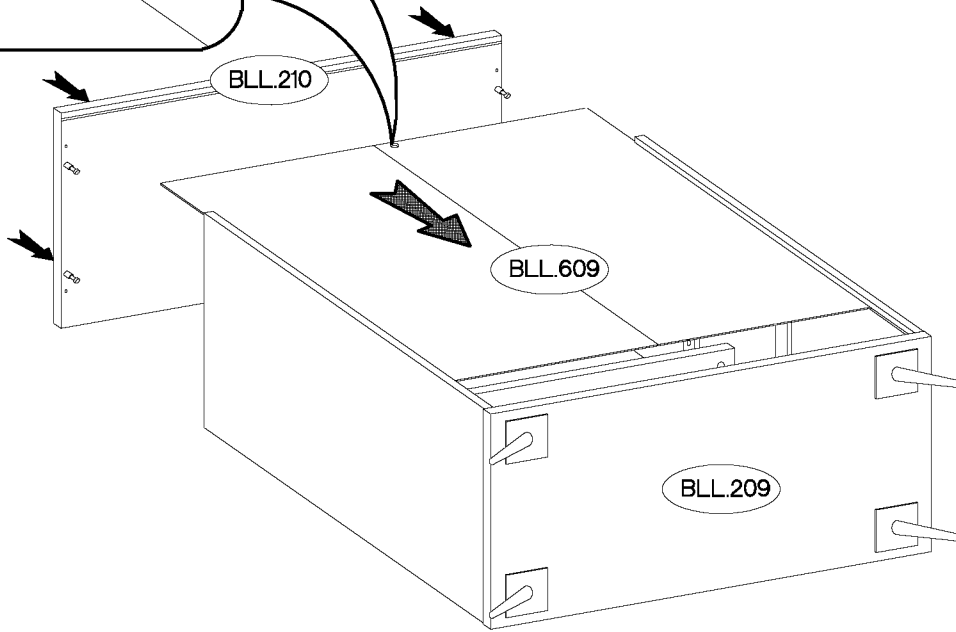
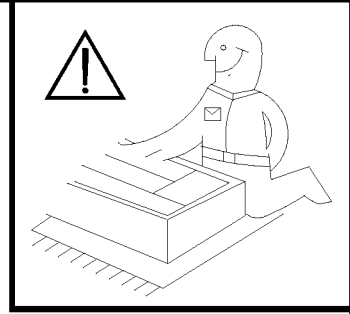
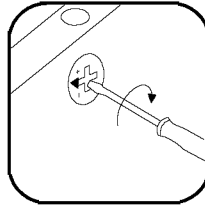
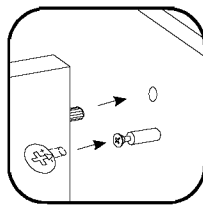
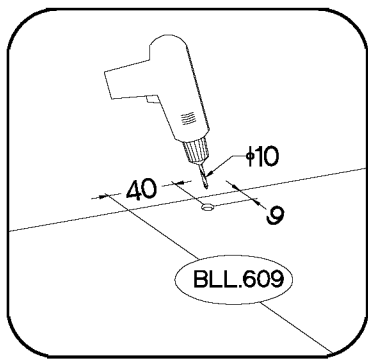
11



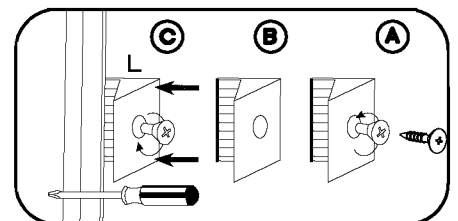
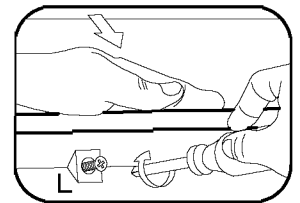
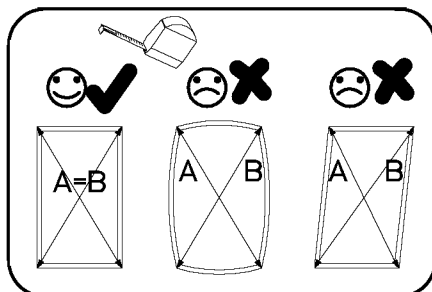
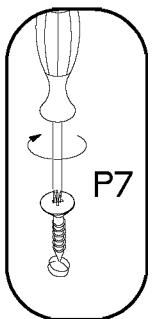
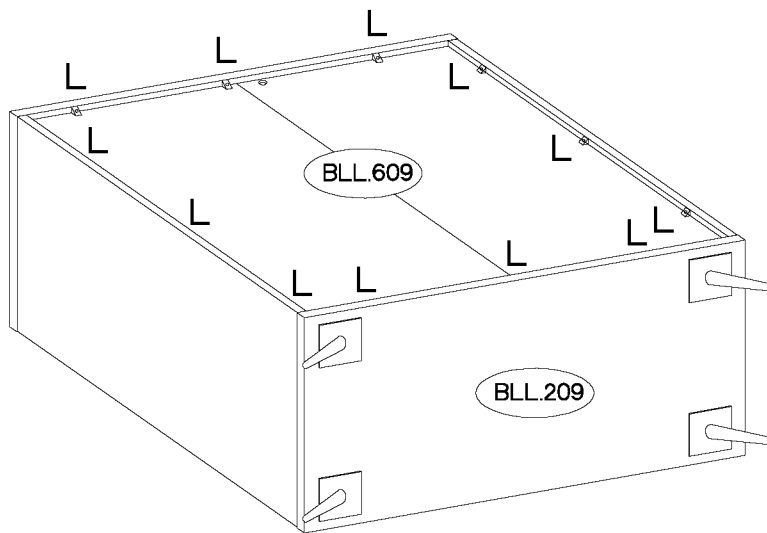
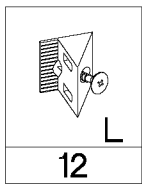
12





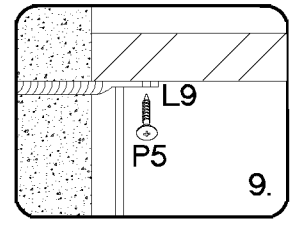
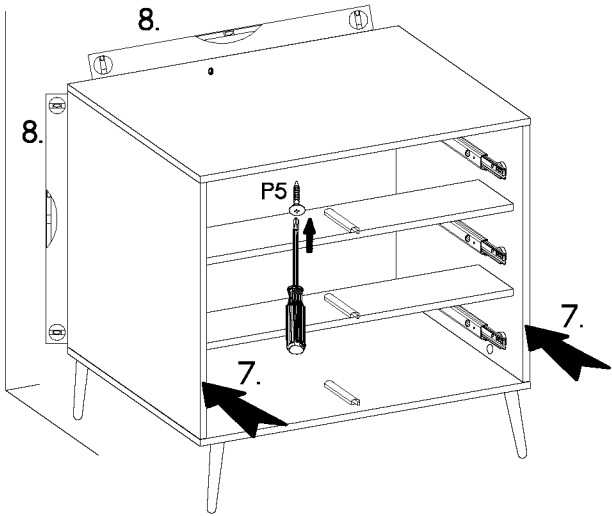
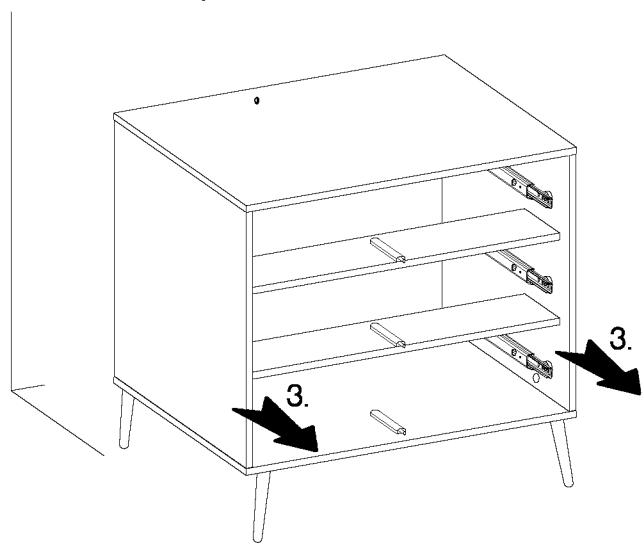
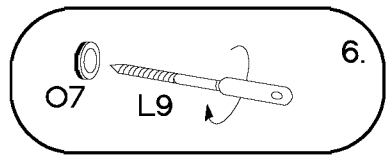
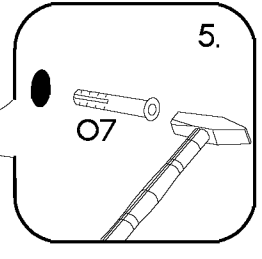
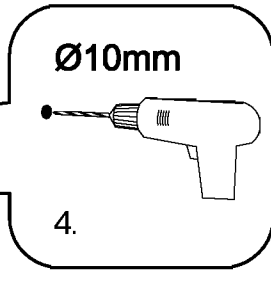
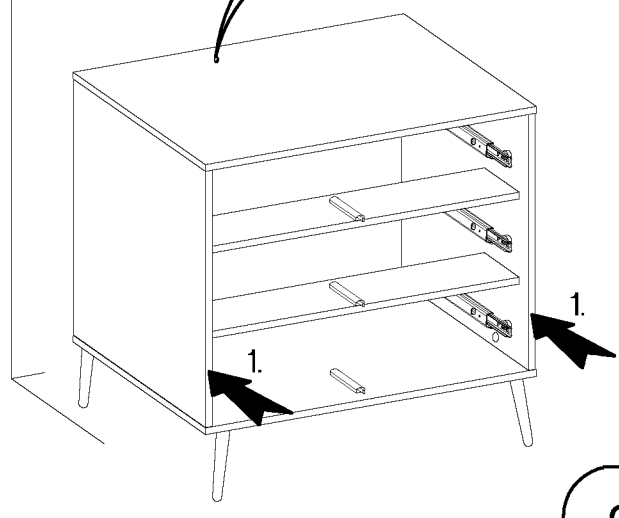
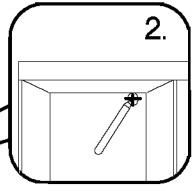
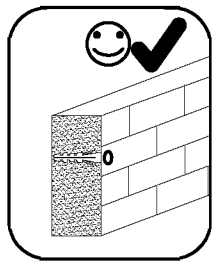
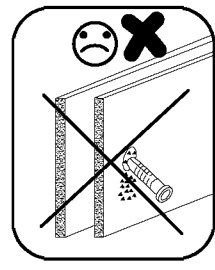
13



14



$\varnothing 10 \times 50 \text{mm}$ 	$\varnothing 3.5 \times 13 \text{mm}$ 	
O7 1	L9 1	P5 1



M4x9mm



U1

6

