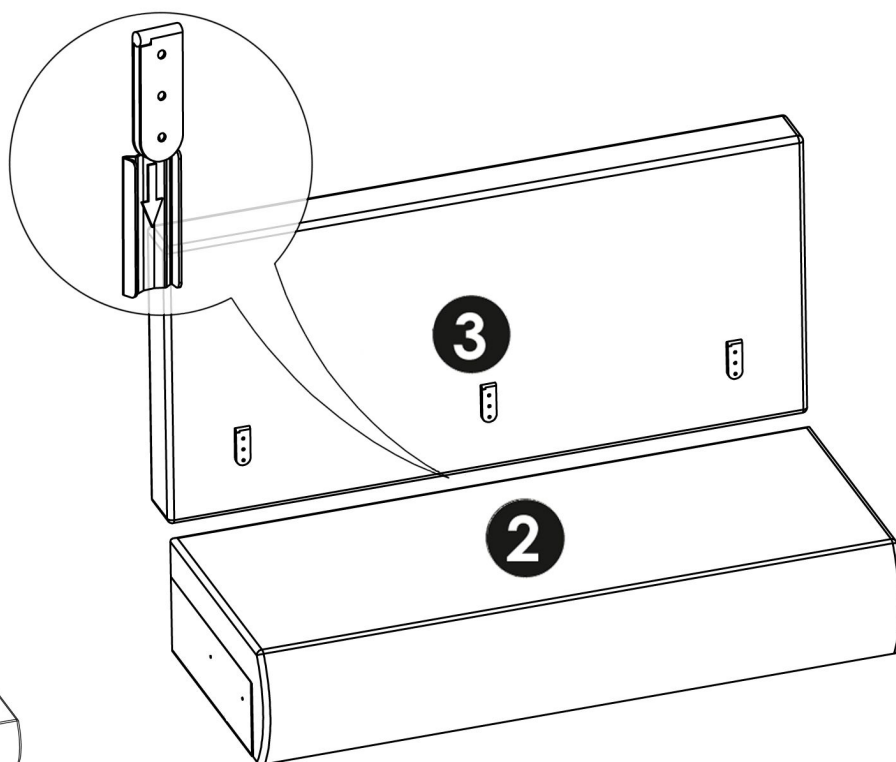
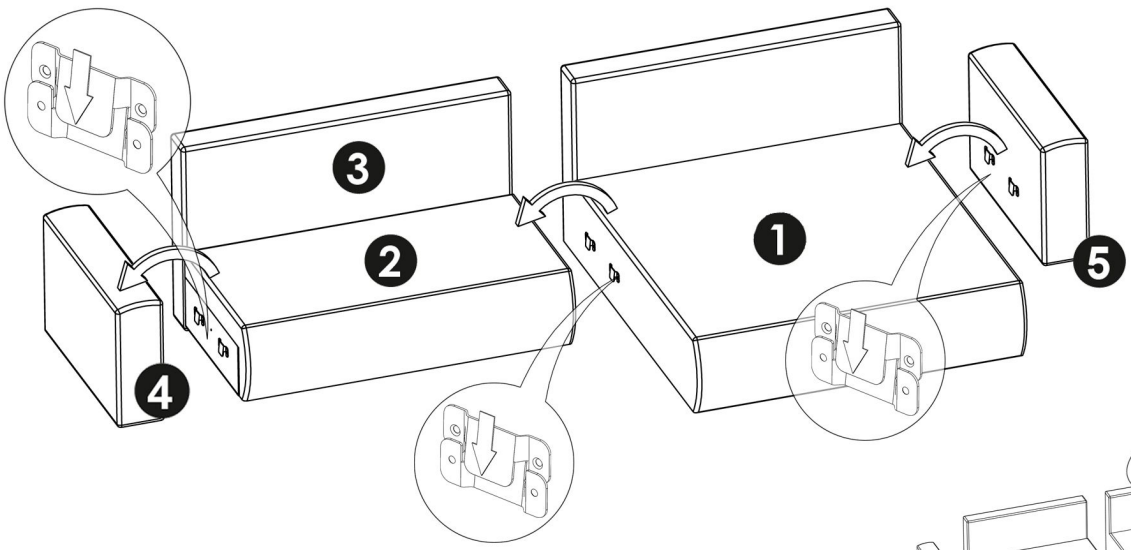


1 L/R



2

R



2

L

